

PRICE LIST 2022



INDOOR LIGHTING

OUTDOOR LIGHTING

- BOLLARD
- WALL MOUNTED LUMINAIRE
- GROUND RECESSED LUMINAIRE
- POST TOP
- STREET LIGHT
- FLOOD LIGHT
- UNDER WATER LUMINAIRE
- SPORTS LIGHT
- PROFILES LINEAR / CURVED

CUSTOMIZED SOLUTIONS

- LIGHT AND SOUND SHOW
- LASER SHOW / 3DMAPPING
- PIXEL RGB
- MUSICAL FOUNTAIN
- DECORATIVE ART WORK

DECORATIVE AND SMART POLES

Lecce Lighting Private Limited is an architectural lighting manufacturer having HQ in Noida with complete sales and service support. We have manufacturing facility in Lucknow, spread over an area of 45,000 sq.ft.

We are strong player in all segments of lighting like City Beautification, Tunnel lighting, Façade lighting, Internal lighting, Decorative poles

Lecce Lighting is an organization of lighting professionals having rich experience in similar industry. We also have Nation wide sales and services network .

We have pioneered the Art and Engineering of executing successful Façade lighting projects using color changing RGBW and Tunable white lighting fixtures.

We also offer complete range of multi media shows using Laser system, Integrated with water screen and video projection, sound and light shows using DMX controlled dynamic illumination and video projection, 3D mapping.

Lecce Lighting was established with a dream to make the world a beautiful place. Our fountains, light & sound shows create magic with accurate software quality hardware.

We also offer all kinds of Poles, Heritage as well as Modern. We provide a wide range of decorative poles to our customer.

We have manufacturing facility in Lucknow, spread over an area of 45,000sq.ft. having own R&D centre.





Certificate of Registration

This is to certify that the
Quality Management System
of

LECCE LIGHTING PRIVATE LIMITED

at

**B - 34 & 35, SECTOR - 02, NOIDA, GAUTAM BUDDHA
NAGAR - 201301 (UTTAR PRADESH)**

has been independently assessed and is
compliant with the requirements of:

ISO 9001:2015

For the following scope of activities:

**IMPORT, EXPORT, BUYING, SELLING AND MANUFACTURING OF
ELECTRICAL FITTINGS AND ACCESSORIES**

Certificate Number: UQ - 20200807020

Validity of this certificate can be verified at www.ukcertifications.org.uk/verify

Date of Certification	07th August 2020
1 st Surveillance Audit Due	06th August 2021
2 nd Surveillance Audit Due	06th August 2022
Certificate Expiry	06th August 2023

Daniel..
Authorised Signatory





Indoor lighting is commonly used in Residential, Commercial & Modern work spaces for creating ambiance & achieving required lighting levels. Illuminance can be achieved and controlled by sensors and lighting control system in synchronization of lighting fixtures.

Lecce Lighting can do it well & shine your world.

Major Application areas:

- Corporate Offices
- Retail Showroom
- Hospitality
- Residential
- Education

DANISH (S)



MODEL	PRODUCT CODE	POWER	LUMEN	CCT	LP
DANISH (S)	LLDHS06NW	6W	650	4000K	426
DANISH (S)	LLDHS09NW	9W	875	4000K	444
DANISH (S)	LLDHS12NW	12W	900	4000K	518
DANISH (S)	LLDHS18NW	18W	1350	4000K	574

DANISH (R)



MODEL	PRODUCT CODE	POWER	LUMEN	CCT	LP
DANISH (R)	LLDHR06NW	6W	650	4000K	426
DANISH (R)	LLDHR09NW	9W	875	4000K	444
DANISH (R)	LLDHR12NW	12W	900	4000K	518
DANISH (R)	LLDHR18NW	18W	1350	4000K	574

SHOAL (S)



MODEL	PRODUCT CODE	POWER	LUMEN	CCT	LP
SHOAL (S)	LLSLS09NW	9W	810	4000K	518
SHOAL (S)	LLSLS12NW	12W	1080	4000K	574
SHOAL (S)	LLSLS18NW	18W	1620	4000K	759

SHOAL (R)



MODEL	PRODUCT CODE	POWER	LUMEN	CCT	LP
SHOAL (R)	LLSLR09NW	9W	810	4000K	518
SHOAL (R)	LLSLR12NW	12W	1080	4000K	574
SHOAL (R)	LLSLR18NW	18W	1620	4000K	759

NEOPRO (S) 2X2



MODEL	PRODUCT CODE	POWER	LUMEN	CCT	LP
NEOPRO (S)	LLNOS36NW	36W	3240	4000K	4235
NEOPRO (S)	LLNOS40NW	40W	3600	4000K	5120
NEOPRO (S)	LLNOS45NW	45W	4050	4000K	5500

LIXO (S) 4X1



MODEL	PRODUCT CODE	POWER	LUMEN	CCT	LP
LIXO (S)	LLLXO24NW	24W	2160	4000K	3120
LIXO (S)	LLLXO48NW	48W	4320	4000K	5760

NEOPRO 2X2



MODEL	PRODUCT CODE	POWER	LUMEN	CCT	LP
NEOPRO	LLNO36NW	36W	3240	4000K	4220
NEOPRO	LLNO40NW	40W	3600	4000K	5000
NEOPRO	LLNO45NW	45W	4050	4000K	5430

LIXO (R) 4X1



MODEL	PRODUCT CODE	POWER	LUMEN	CCT	LP
LIXO (R)	LLLXOR24NW	24W	2160	4000K	3589
LIXO (R)	LLLAOR48NW	48W	4320	4000K	6162

OGEE



MODEL	PRODUCT CODE	POWER	LUMEN	CCT	LP
OGEE	LL0ER09NW	9W	810	4000K	518
OGEE	LL0ER12NW	12W	1080	4000K	574
OGEE	LL0ER18NW	18W	1620	4000K	759

DIAMONT



MODEL	PRODUCT CODE	POWER	LUMEN	CCT	LP
DIAMONT	LLDT09NW	9W	810	4000K	1050
DIAMONT	LLDT12NW	12W	1080	4000K	1830
DIAMONT	LLDT18NW	18W	1620	4000K	2870

SPITZ



MODEL	PRODUCT CODE	POWER	LUMEN	CCT	LP
SPITZ	LLSZ02W	2W	40	4000K	340
SPITZ	LLSZ05W	5W	100	4000K	600
SPITZ	LLSZ09W	9W	180	4000K	874

LIFNA COB



MODEL	PRODUCT CODE	POWER	LUMEN	CCT	LP
LIFNA COB	LLLA03NW	3W	285	4000K	360
LIFNA COB	LLLA06NW	6W	570	4000K	965
LIFNA COB	LLLA09NW	9W	855	4000K	1222
LIFNA COB	LLLA12NW	12W	1140	4000K	1592
LIFNA COB	LLLA18NW	18W	1710	4000K	2264
LIFNA COB	LLLA25NW	25W	2375	4000K	3085
LIFNA COB	LLLA35NW	35W	3325	4000K	4222
LIFNA COB	LLLA45NW	45W	4275	4000K	5432

ZOOM



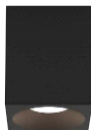
MODEL	PRODUCT CODE	POWER	LUMEN	CCT	LP
ZOOM	LLZM10NW	10W	900	4000K	1622
ZOOM	LLZM20NW	20W	1800	4000K	3244
ZOOM	LLZM30NW	30W	2700	4000K	4681
ZOOM	LLZM45NW	45W	4050	4000K	5472

MULTISPOT



MODEL	PRODUCT CODE	POWER	LUMEN	CCT	LP
MULTISPOT 1M	LLMT1M10NW	10W	900	4000K	2835
MULTISPOT 2M	LLMT2M20NW	20W	1900	4000K	5770
MULTISPOT 3M	LLMT3M30NW	30W	2850	4000K	8505
MULTISPOT 1M	LLMT1M30NW	30W	2850	4000K	5600
MULTISPOT 2M	LLMT2M60NW	60W	5700	4000K	11200
MULTISPOT 3M	LLMT3M90NW	90W	8550	4000K	16800

JAZZ (S)



MODEL	PRODUCT CODE	POWER	LUMEN	CCT	LP
JAZZ (S)	LLJZS12NW	12W	1080	4000K	3196
JAZZ (S)	LLJZS18NW	18W	1620	4000K	4200
JAZZ (S)	LLJZS24NW	24W	2160	4000K	5446

JAZZ (R)



MODEL	PRODUCT CODE	POWER	LUMEN	CCT	LP
JAZZ (R)	LLJZR12NW	12W	1080	4000K	3200
JAZZ (R)	LLJZR18NW	18W	1620	4000K	4356
JAZZ (R)	LLJZR24NW	24W	2160	4000K	5500

CRIO



MODEL	PRODUCT CODE	POWER	LUMEN	CCT	LP
CRIO	LLC010NW	10W	850	4000K	2121
CRIO	LLC020NW	20W	1700	4000K	4242
CRIO	LLC030NW	30W	2550	4000K	6363

FLOW



MODEL	PRODUCT CODE	POWER	LUMEN	CCT	LP
FLOW	LLFW10NW	10W	850	4000K	2121
FLOW	LLFW20NW	20W	1700	4000K	4242
FLOW	LLFW30NW	30W	2550	4000K	6363
FLOW	LLFW40NW	40W	3400	4000K	8484

TRACK



MODEL	PRODUCT CODE	POWER	LUMEN	CCT	LP
Track 1MTR	LLTK01MTW	1 MTR	WHITE	-	800
Track 2MTR	LLTK02MTW	2 MTR	WHITE	-	1600
Track 1MTR	LLTK01MTB	1 MTR	BLACK	-	800
Track 2MTR	LLTK02MTB	2 MTR	BLACK	-	1600

LED STRIP - IP20



MODEL	PRODUCT CODE	POWER	LUMEN	CCT	LP
LED STRIP	LLSP2420NW	24W	2040	4000K	1072
LED STRIP	LLSP4820NW	48W	4080	4000K	2242
LED STRIP	LLSP7220NW	72W	6120	4000K	3412

Length - 5.0 Mtr
 Operating Voltage - 12/24 VDC
 Driver - Not Included

All fixtures are available in 3000K and 6500K color temperature.

LED STRIP - IP65



MODEL	PRODUCT CODE	POWER	LUMEN	CCT	LP
LED STRIP	LLSP2465NW	24W	2040	4000K	1735
LED STRIP	LLSP4865NW	48W	4080	4000K	3470
LED STRIP	LLSP7265NW	72W	6120	4000K	5205

Length - 5 Mtr
 Operating Voltage - 12/24 VDC
 Driver - Not Included

LED STRIP RGB WITH DMX CONTROLLER - IP65



MODEL	PRODUCT CODE	POWER	LUMEN	CCT	LP
LED STRIP RGB	LLSP60RGB65	60W	-	RGB	14950
PIXEL RGB	LLPL60RGB65	60W	-	RGB	P.O.R

Length - 5.0 Mtr
 Operating Voltage - 12/24 VDC
 Driver - Not Included

NEON LED STRIP



MODEL	PRODUCT CODE	POWER	LUMEN	CCT	LP
NEON LED STRIP	LLNS10NW	50W	-	4000K	P.O.R
NEON LED STRIP	LLNS12NW	60W	-	4000K	P.O.R
NEON LED STRIP	LLNS15NW	75W	-	4000K	P.O.R

Available in RED, BLUE, GREEN, AMBER

Length - 5.0 Mtr
 Operating Voltage - 12/24 VDC
 Driver - Not Included

LINE (S)



MODEL	PRODUCT CODE	POWER	LUMEN	CCT	LP
LINE (S)	LLLAS30NW	30W	2550	4000K	3500
LINE (S)	LLLAS40NW	40W	3400	4000K	5200
LINE (S)	LLLAS55NW	55W	4675	4000K	7532

Length - 1200mm

LINE (R)



MODEL	PRODUCT CODE	POWER	LUMEN	CCT	LP
LINE (R)	LLARS30NW	30W	2550	4000K	4200
LINE (R)	LLARS40NW	40W	3400	4000K	5500
LINE (R)	LLARS55NW	55W	4675	4000K	7532

Length - 1200mm

RING



MODEL	PRODUCT CODE	POWER	LUMEN	CCT	LP
RING	LLRG140NW	40W	3200	4000K	18300
RING	LLRG160NW	60W	4800	4000K	20665
RING	LLRG170NW	70W	5600	4000K	22976

DONUT



MODEL	PRODUCT CODE	POWER	LUMEN	CCT	LP
DONUT	LLDT40NW	40W	3200	4000K	17200
DONUT	LLDT60NW	60W	4800	4000K	19644
DONUT	LLDT70NW	70W	5600	4000K	21875

HEXA



MODEL	PRODUCT CODE	POWER	LUMEN	CCT	LP
HEXA	LLHA40NW	40W	3200	4000K	20765
HEXA	LLHA60NW	60W	4800	4000K	22944
HEXA	LLHA70NW	70W	5600	4000K	24761

All fixtures are available in 3000K and 6500K color temperature.

TRIANGLE



MODEL	PRODUCT CODE	POWER	LUMEN	CCT	LP
TRIANGLE	LLTE40NW	40W	3200	4000K	20850
TRIANGLE	LLTE60NW	60W	4800	4000K	20955
TRIANGLE	LLTE75NW	75W	6000	4000K	25632

SUAVE (S)



MODEL	PRODUCT CODE	POWER	LUMEN	CCT	LP
SUAVE (S)	LLSES080NW	80W	8000	4000K	9600
SUAVE (S)	LLSES100NW	100W	10000	4000K	12000
SUAVE (S)	LLSES120NW	120W	12000	4000K	14400

SUAVE



MODEL	PRODUCT CODE	POWER	LUMEN	CCT	LP
SUAVE	LLSEW045NW	45W	4500	4000K	6850
SUAVE	LLSEW080NW	80W	8000	4000K	14100
SUAVE	LLSEW120NW	120W	12000	4000K	20544

HYDRA



MODEL	PRODUCT CODE	POWER	LUMEN	CCT	LP
HYDRA 600mm	LLHAW20NW	20W	1800	4000K	2870
HYDRA 1200mm	LLHAW40NW	40W	3600	4000K	5750
HYDRA 1200mm	LLHAW55NW	55W	4950	4000K	7544

RAPID (X)



MODEL	PRODUCT CODE	POWER	LUMEN	CCT	LP
RAPID (X)	LLRD20NW	20W	2000	4000K	1360
RAPID (X)	LLRD40NW	40W	4000	4000K	2230

ZIRA



MODEL	PRODUCT CODE	POWER	LUMEN	CCT	LP
ZIRA	LLZAT510NW	10W	1000	4000K	475
ZIRA	LLZAT518NW	18W	1800	4000K	530
ZIRA	LLZAT520NW	20W	2000	4000K	550
ZIRA	LLZAT540NW	40W	4000	4000K	675



All fixtures are available in 3000K and 6500K color temperature.



Outdoor lighting brings facade and outdoor spaces to life. Whether utilizing fixtures for security, landscape or dramatic effect, exterior lights can transform how you see and understand a building or pathway. While exterior lighting may fall under a landscape architect's purview, it's important for every type of architect to understand how outdoor lights can integrate with a building and its larger site. By understanding the play between light and dark, architects can use contrast and shadows to create inspiring and intriguing spaces.

Lecce Lighting can do it well & shine your world.

Major Application areas:

- Street Lighting
- Landscape Lighting
- City beautification
- Facade Lighting
- Under Lighting
- Sports Lighting



MASH

MODEL	PRODUCT CODE	POWER	LUMEN	CCT	LP
MASH	LLMH10NW	10W	1032	4000K	16211
MASH	LLMH20NW	20W	2065	4000K	20415



NUT

MODEL	PRODUCT CODE	POWER	LUMEN	CCT	LP
NUT	LLNT10NW	10W	1032	4000K	20125
NUT	LLNT20NW	20W	2065	4000K	25226



NELSON

MODEL	PRODUCT CODE	POWER	LUMEN	CCT	LP
NELSON	LLNN08NW	8W	480	4000K	26972
NELSON	LLNN12NW	12W	720	4000K	34580



SOLAR

MODEL	PRODUCT CODE	POWER	LUMEN	CCT	LP
SOLAR	LLSR1NW	1W	100	4000K	28100
SOLAR	LLSR2NW	2W	200	4000K	32108
SOLAR	LLSR5NW	5W	500	4000K	38912

ARIA



MODEL	PRODUCT CODE	POWER	LUMEN	CCT	LP
ARIA	LLAA08NW	8W	480	4000K	8650
ARIA	LLAA12NW	12W	720	4000K	10650

RIO



MODEL	PRODUCT CODE	POWER	LUMEN	CCT	LP
RIO	LLRO08NW	8W	480	4000K	8400
RIO	LLRO12NW	12W	720	4000K	11355
RIO	LLRO15NW	15W	900	4000K	15681

MAROLA



MODEL	PRODUCT CODE	POWER	LUMEN	CCT	LP
MAROLA	LLMA10NW	10W	700	4000K	18350
MAROLA	LLMA15NW	15W	1050	4000K	20211
MAROLA	LLMA20NW	20W	1400	4000K	24120
MAROLA	LLMA40NW	40W	2800	4000K	28552

ISOLA (RD)



MODEL	PRODUCT CODE	POWER	LUMEN	CCT	LP
ISOLA (RD)	LLIARD10NW	10W	700	4000K	8102
ISOLA (RD)	LLIARD24NW	24W	1680	4000K	16360

ISOLA (SQ)



MODEL	PRODUCT CODE	POWER	LUMEN	CCT	LP
ISOLA (SQ)	LLIASQ10NW	10W	700	4000K	8182
ISOLA (SQ)	LLIASQ20NW	20W	1400	4000K	12228

TAK (SQ)



MODEL	PRODUCT CODE	POWER	LUMEN	CCT	LP
TAK (SQ)	LLTKSQ06NW	6W	420	4000K	4415
TAK (SQ)	LLTKSQ10NW	10W	700	4000K	8816
TAK (SQ)	LLTKSQ20NW	20W	1400	4000K	14322

TEK (RD)



MODEL	PRODUCT CODE	POWER	LUMEN	CCT	LP
TEK (RD)	LLTKRD06NW	6W	420	4000K	6602
TEK (RD)	LLTKRD10NW	10W	700	4000K	10980
TEK (RD)	LLTKRD20NW	20W	1400	4000K	14993

BRICK



MODEL	PRODUCT CODE	POWER	LUMEN	CCT	LP
BRICK	LLBK03NW	3W	90	4000K	3292
BRICK	LLBK05NW	5W	150	4000K	3855
BRICK	LLBK10NW	10W	300	4000K	4265

ZETA



MODEL	PRODUCT CODE	POWER	LUMEN	CCT	LP
ZETA	LLZA10NW	10W	400	4000K	8050
ZETA	LLZA20NW	20W	800	4000K	9856

ZETA SEMI



MODEL	PRODUCT CODE	POWER	LUMEN	CCT	LP
ZETA SEMI	LLZAS10NW	10W	300	4000K	9682
ZETA SEMI	LLZAS20NW	20W	550	4000K	12715

LINEA (R)



MODEL	PRODUCT CODE	POWER	LUMEN	CCT	LP
LINEA (R) 600mm	LLLAR20NW	20W	2000	4000K	29560
LINEA (R) 1200mm	LLLAR40NW	40W	4000	4000K	39843
LINEA (R) 1200mm	LLLAR55NW	55W	5500	4000K	48450
LINEA (R) 1200mm	LLLAR30RGBW	30W	-	RGBW	P.O.R
LINEA (R) 1200mm	LLLAR60RGBW	60W	-	RGBW	P.O.R

ROUND



MODEL	PRODUCT CODE	POWER	LUMEN	CCT	LP
ROUND MICRO	LLRDMC06NW	6W	540	4000K	10032
ROUND MINI	LLRDMN12NW	12W	1080	4000K	20064
ROUND MIDI	LLRDMD36NW	36W	3240	4000K	34109
ROUND MAXI	LLRDMX72NW	72W	6480	4000K	40128

ORION



MODEL	PRODUCT CODE	POWER	LUMEN	CCT	LP
ORION MINI	LLONMN03NW	3W	180	4000K	3150
ORION MINI	LLONMN06NW	6W	360	4000K	6450
ORION MIDI	LLONMD12NW	12W	720	4000K	10950
ORION MIDI	LLONMD24NW	24W	1440	4000K	16500

BLADE RGBW



MODEL	PRODUCT CODE	POWER	LUMEN	CCT	LP
BLADE RGBW	LLBE03RGBW	3W	-	RGBW	17534
BLADE RGBW	LLBE09RGBW	9W	-	RGBW	27342
BLADE RGBW	LLBE27RGBW	27W	-	RGBW	33659
BLADE RGBW	LLBE54RGBW	54W	-	RGBW	42985

BLADE



MODEL	PRODUCT CODE	POWER	LUMEN	CCT	LP
BLADE	LLBE03NW	3W	30	4000K	4950
BLADE	LLBE06NW	6W	60	4000K	5998
BLADE	LLBE09NW	9W	90	4000K	6733
BLADE	LLBE12NW	12W	120	4000K	8326

EYE



MODEL	PRODUCT CODE	POWER	LUMEN	CCT	LP
EYE	LLEE05NW	5W	350	4000K	2182
EYE	LLEE10NW	10W	700	4000K	4954
EYE	LLEE15NW	15W	1050	4000K	6674
EYE	LLEE20NW	20W	1400	4000K	8604

SALA



MODEL	PRODUCT CODE	POWER	LUMEN	CCT	LP
SALA	LLSA30NW	30W	3000	4000K	29568
SALA	LLSA40NW	40W	4000	4000K	31416
SALA	LLSA50NW	50W	5000	4000K	33268
SALA	LLSA60NW	60W	6000	4000K	35112

BORDEN



MODEL	PRODUCT CODE	POWER	LUMEN	CCT	LP
BORDEN	LLBN30NW	30W	3000	4000K	30759
BORDEN	LLBN40NW	40W	4000	4000K	31743
BORDEN	LLBN50NW	50W	5000	4000K	33330
BORDEN	LLBN60NW	60W	6000	4000K	34996

KANI



MODEL	PRODUCT CODE	POWER	LUMEN	CCT	LP
KANI	LLKI030NW	30W	3750	4000K	35326
KANI	LLKI050NW	50W	6250	4000K	37798
KANI	LLKI070NW	70W	8750	4000K	40519
KANI	LLKI090NW	90W	11250	4000K	42544
KANI	LLKI100NW	100W	12500	4000K	45734

SKY



MODEL	PRODUCT CODE	POWER	LUMEN	CCT	LP
SKY	LLSY30NW	30W	3750	4000K	33264
SKY	LLSY40NW	40W	5000	4000K	35112
SKY	LLSY50NW	50W	6250	4000K	36960

CIELO



MODEL	PRODUCT CODE	POWER	LUMEN	CCT	LP
CIELO	LLC050NW	50W	6250	4000K	38808
CIELO	LLC090NW	90W	11250	4000K	42504

WETAR



MODEL	PRODUCT CODE	POWER	LUMEN	CCT	LP
WETAR	LLWR30NW	30W	3750	4000K	31637
WETAR	LLWR40NW	40W	5000	4000K	33914
WETAR	LLWR50NW	50W	6250	4000K	36457
WETAR	LLWR60NW	60W	7500	4000K	39008

COLOUMN



MODEL	PRODUCT CODE	POWER	LUMEN	CCT	LP
COLOUMN	LLCN230NW	30W	3000	4000K	40120
COLOUMN	LLCN240NW	40W	4000	4000K	40500
COLOUMN	LLCN250NW	50W	5000	4000K	41250
COLOUMN	LLCN260NW	60W	6000	4000K	42520

COLOUMN TRI COLOR



MODEL	PRODUCT CODE	POWER	LUMEN	CCT	LP
COLOUMN TRI	LLCN30TRI	30W	3000	4000K	44132
COLOUMN TRI	LLCN40TRI	40W	4000	4000K	48765
COLOUMN TRI	LLCN50TRI	50W	5000	4000K	54129
COLOUMN TRI	LLCN60TRI	60W	6000	4000K	60191

DISC



MODEL	PRODUCT CODE	POWER	LUMEN	CCT	LP
DISC	LLDC30NW	30W	3000	4000K	28944
DISC	LLDC40NW	40W	4000	4000K	30511
DISC	LLDC50NW	50W	5000	4000K	31416
DISC	LLDC90NW	90W	9000	4000K	36960

CROWN



MODEL	PRODUCT CODE	POWER	LUMEN	CCT	LP
CROWN	LLCN30NW	30W	3000	4000K	31893
CROWN	LLCN40NW	40W	4000	4000K	32766
CROWN	LLCN50NW	50W	5000	4000K	33929
CROWN	LLCN70NW	70W	7000	4000K	35892
CROWN	LLCN90NW	90W	9000	4000K	37321

BRIGHT



MODEL	PRODUCT CODE	POWER	LUMEN	CCT	LP
BRIGHT	LLBT040NW	30W	3000	4000K	24999
BRIGHT	LLBT050NW	40W	4000	4000K	26311
BRIGHT	LLBT050NW	50W	5000	4000K	27720
BRIGHT	LLBT075NW	75W	7500	4000K	29568
BRIGHT	LLBT100NW	100W	10000	4000K	33264

BRIGHT (S)



MODEL	PRODUCT CODE	POWER	LUMEN	CCT	LP
BRIGHT (S)	LLBTS30NW	30W	3000	4000K	23129
BRIGHT (S)	LLBTS40NW	40W	4000	4000K	24577
BRIGHT (S)	LLBTS50NW	50W	5000	4000K	25601
BRIGHT (S)	LLBTS75NW	75W	7500	4000K	26667

STON



MODEL	PRODUCT CODE	POWER	LUMEN	CCT	LP
STON	LLSN038NW	38W	4750	4000K	47750
STON	LLSN075NW	75W	9375	4000K	51570
STON	LLSN090NW	90W	11250	4000K	54148
STON	LLSN110NW	110W	13750	4000K	56313
STON	LLSN120NW	120W	15000	4000K	57439

OLMO



MODEL	PRODUCT CODE	POWER	LUMEN	CCT	LP
OLMO	LLO025NW	25W	2000	4000K	16100
OLMO	LLO040NW	40W	3200	4000K	18506
OLMO	LLO050NW	50W	4000	4000K	20395
OLMO	LLO060NW	60W	4800	4000K	21865

PARK



MODEL	PRODUCT CODE	POWER	LUMEN	CCT	LP
PARK	LLPK25NW	25W	1875	4000K	12580
PARK	LLPK40NW	40W	3000	4000K	13600
PARK	LLPK60NW	60W	4500	4000K	17529

LAMPO



MODEL	PRODUCT CODE	POWER	LUMEN	CCT	LP
LAMPO	LLL025NW	25W	1750	4000K	12633
LAMPO	LLL040NW	40W	2800	4000K	14800
LAMPO	LLL060NW	60W	4200	4000K	16853

VICTORY



MODEL	PRODUCT CODE	POWER	LUMEN	CCT	LP
VICTORY	LLVY125NW	25W	1875	4000K	30099
VICTORY	LLVY140NW	40W	3000	4000K	33120
VICTORY	LLVY160NW	60W	4500	4000K	37164

VICTORY (S)



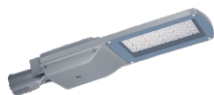
MODEL	PRODUCT CODE	POWER	LUMEN	CCT	LP
VICTORY (S)	LLVYS040NW	40W	3200	4000K	35856
VICTORY (S)	LLVYS070NW	70W	5600	4000K	39123
VICTORY (S)	LLVYS090NW	90W	7200	4000K	42170
VICTORY (S)	LLVYS120NW	120W	9600	4000K	46454

GLORY



MODEL	PRODUCT CODE	POWER	LUMEN	CCT	LP
GLORY	LLGY090NW	90W	6750	4000K	44712
GLORY	LLGY120NW	120W	9000	4000K	48852

CLOUD MINI



MODEL	PRODUCT CODE	POWER	LUMEN	CCT	LP
CLOUD MINI	LLCDMN080NW	80W	10000	4000K	47071
CLOUD MINI	LLCDMN090NW	90W	11250	4000K	48359
CLOUD MINI	LLCDMN120NW	120W	15000	4000K	54126

All fixtures are available in 3000K and 6500K color temperature.

PALADIN MINI



MODEL	PRODUCT CODE	POWER	LUMEN	CCT	LP
PALADIN MINI	LLPNMN25NW	25W	3125	4000K	29012
PALADIN MINI	LLPNMN50NW	50W	6250	4000K	34337
PALADIN MINI	LLPNMN75NW	75W	9375	4000K	42936
PALADIN MINI	LLPNMN90NW	90W	11250	4000K	47466

PALADIN MAXI



MODEL	PRODUCT CODE	POWER	LUMEN	CCT	LP
PALADIN MAXI	LLPNMX120NW	120W	15000	4000K	51201
PALADIN MAXI	LLPNMX150NW	150W	18750	4000K	55568
PALADIN MAXI	LLPNMX200NW	200W	25000	4000K	59314
PALADIN MAXI	LLPNMX250NW	250W	31250	4000K	65007

SAKHALIN MINI



MODEL	PRODUCT CODE	POWER	LUMEN	CCT	LP
SAKHALIN MINI	LLSNMN50NW	50W	6250	4000K	35613
SAKHALIN MINI	LLSNMN75NW	75W	9375	4000K	41288
SAKHALIN MINI	LLSNMN90NW	90W	11250	4000K	45094

SAKHALIN MAXI



MODEL	PRODUCT CODE	POWER	LUMEN	CCT	LP
SAKHALIN MAXI	LLSNMX100NW	100W	12500	4000K	45033
SAKHALIN MAXI	LLSNMX120NW	120W	15000	4000K	51009

ROMA



MODEL	PRODUCT CODE	POWER	LUMEN	CCT	LP
ROMA	LLRA38NW	38W	4750	4000K	41047
ROMA	LLRA75NW	75W	9375	4000K	46683
ROMA	LLRA90NW	90W	11250	4000K	51416

SUNLITE MINI



MODEL	PRODUCT CODE	POWER	LUMEN	CCT	LP
SUNLITE MINI	LLSEM50NW	50W	6250	4000K	35568
SUNLITE MINI	LLSEM60NW	60W	7500	4000K	41371

SUNLITE MAXI



MODEL	PRODUCT CODE	POWER	LUMEN	CCT	LP
SUNLITE MAXI	LLSEM050NW	50W	6250	4000K	42528
SUNLITE MAXI	LLSEM100NW	100W	12500	4000K	47761
SUNLITE MAXI	LLSEM120NW	120W	15000	4000K	52916

SUPERLUX MINI



MODEL	PRODUCT CODE	POWER	LUMEN	CCT	LP
SUPERLUX MINI	LLSXMN25NW	25W	3125	4000K	36113
SUPERLUX MINI	LLSXMN50NW	50W	6250	4000K	41817
SUPERLUX MINI	LLSXMN75NW	75W	9375	4000K	46094
SUPERLUX MINI	LLSXMN90NW	90W	11250	4000K	51115

SUPERLUX MAXI



MODEL	PRODUCT CODE	POWER	LUMEN	CCT	LP
SUPERLUX MAXI	LLSXM050NW	50W	6250	4000K	43044
SUPERLUX MAXI	LLSXM0100NW	100W	12500	4000K	48561
SUPERLUX MAXI	LLSXM0120NW	120W	15000	4000K	53448

PHAROS MICRO



MODEL	PRODUCT CODE	POWER	LUMEN	CCT	LP
PHAROS MICRO	LLPSM015NW	15W	1500	4000K	1655
PHAROS MICRO	LLPSM018NW	18W	1800	4000K	1981
PHAROS MICRO	LLPSM020NW	20W	2000	4000K	2252
PHAROS MICRO	LLPSM050NW	50W	5000	4000K	5509

PHAROS MINI



MODEL	PRODUCT CODE	POWER	LUMEN	CCT	LP
PHAROS MINI	LLPSMI30NW	30W	3000	4000K	3342
PHAROS MINI	LLPSMI35NW	35W	3500	4000K	3518
PHAROS MINI	LLPSMI40NW	40W	4000	4000K	4488
PHAROS MINI	LLPSMI45NW	45W	4500	4000K	4950
PHAROS MINI	LLPSMI50NW	50W	5000	4000K	5574

PHAROS MIDI



MODEL	PRODUCT CODE	POWER	LUMEN	CCT	LP
PHAROS MIDI	LLPSMD60NW	60W	6000	4000K	6050
PHAROS MIDI	LLPSMD70NW	70W	7000	4000K	7229
PHAROS MIDI	LLPSMD80NW	80W	8000	4000K	8257

All fixtures are available in 3000K and 6500K color temperature.

PHAROS MAXI



MODEL	PRODUCT CODE	POWER	LUMEN	CCT	LP
PHAROS MAXI	LLPSMX090NW	90W	9000	4000K	9123
PHAROS MAXI	LLPSMX100NW	100W	10000	4000K	10557
PHAROS MAXI	LLPSMX120NW	120W	12000	4000K	12250

PHAROS BIG



MODEL	PRODUCT CODE	POWER	LUMEN	CCT	LP
PHAROS BIG	LLPSBG125NW	125W	12500	4000K	13757
PHAROS BIG	LLPSBG140NW	140W	14000	4000K	15441
PHAROS BIG	LLPSBG150NW	150W	15000	4000K	16599
PHAROS BIG	LLPSBG160NW	160W	16000	4000K	17684

PHAROS LARGE



MODEL	PRODUCT CODE	POWER	LUMEN	CCT	LP
PHAROS LARGE	LLPSLG170NW	170W	17000	4000K	17811
PHAROS LARGE	LLPSLG180NW	180W	18000	4000K	18755
PHAROS LARGE	LLPSLG190NW	190W	19000	4000K	19862
PHAROS LARGE	LLPSLG200NW	200W	20000	4000K	20987
PHAROS LARGE	LLPSLG250NW	250W	25000	4000K	25003
PHAROS LARGE	LLPSLG280NW	280W	28000	4000K	28046

OMNI MICRO



MODEL	PRODUCT CODE	POWER	LUMEN	CCT	LP
OMNI MICRO	LLOIMC20NW	20W	2000	4000K	2300
OMNI MICRO	LLOIMC30NW	30W	3000	4000K	3450
OMNI MICRO	LLOIMC40NW	40W	4000	4000K	4600

OMNI MINI



MODEL	PRODUCT CODE	POWER	LUMEN	CCT	LP
OMNI MINI	LLOIMN050NW	50W	5000	4000K	5750
OMNI MINI	LLOIMN070NW	70W	7000	4000K	8050
OMNI MINI	LLOIMN090NW	90W	9000	4000K	10350
OMNI MINI	LLOIMN100NW	100W	10000	4000K	11500
OMNI MINI	LLOIMN120NW	120W	12000	4000K	13800
OMNI MINI	LLOIMN150NW	150W	15000	4000K	17250
OMNI MINI	LLOIMN180NW	180W	18000	4000K	20700
OMNI MINI	LLOIMN200NW	200W	20000	4000K	23000

OMNI MIDI



MODEL	PRODUCT CODE	POWER	LUMEN	CCT	LP
OMNI MIDI	LLOIMD250NW	250W	25000	4000K	28750
OMNI MIDI	LLOIMD300NW	300W	30000	4000K	34500
OMNI MIDI	LLOIMD350NW	350W	35000	4000K	40250
OMNI MIDI	LLOIMD400NW	400W	40000	4000K	46000
OMNI MIDI	LLOIMD500NW	500W	50000	4000K	57500

FUOCO MICRO (SQ)



MODEL	PRODUCT CODE	POWER	LUMEN	CCT	LP
FUOCO MICRO	LLFOMC10NW	10W	1150	4000K	18057
FUOCO MICRO	LLFOMC22NW	22W	2530	4000K	30096

FUOCO MINI (SQ)



MODEL	PRODUCT CODE	POWER	LUMEN	CCT	LP
FUOCO MINI	LLFOMN36NW	36W	4140	4000K	33105
FUOCO MINI	LLFOMN40NW	40W	4600	4000K	36115

All fixtures are available in 3000K and 6500K color temperature.

FUOCO MIDI (SQ)



MODEL	PRODUCT CODE	POWER	LUMEN	CCT	LP
FUOCO MIDI	LLFOMD045NW	45W	5175	4000K	42183
FUOCO MIDI	LLFOMD060NW	60W	6900	4000K	54172
FUOCO MIDI	LLFOMD080NW	80W	9000	4000K	60192
FUOCO MIDI	LLFOMD106RGBW	106W	-	RGB	84268

FUOCO MINI (RD)



MODEL	PRODUCT CODE	POWER	LUMEN	CCT	LP
FUOCO MINI	LLFOMN18NW	18W	1900	4000K	36115
FUOCO MINI	LLFOMN33NW	33W	3510	4000K	39124
FUOCO MINI	LLFOMN40NW	40W	3800	4000K	42135

FUOCO MIDI (RD)



MODEL	PRODUCT CODE	POWER	LUMEN	CCT	LP
FUOCO MIDI	LLFOMD40NW	40W	3800	4000K	57183
FUOCO MIDI	LLFOMD54NW	54W	4850	4000K	60192
FUOCO MIDI	LLFOMD80NW	80W	7200	4000K	63201
FUOCO MIDI	LLFOMD106RGB/W	106W	-	RGB/RGBW	84268

FUOCO (CL)



MODEL	PRODUCT CODE	POWER	LUMEN	CCT	LP
FUOCO	LLFOC12NW	12W	1380	4000K	30096
FUOCO	LLFOC20NW	20W	2300	4000K	33105
FUOCO	LLFOC30NW	30W	3450	4000K	39124

CUBE MICRO



MODEL	PRODUCT CODE	POWER	LUMEN	CCT	LP
CUBE MICRO	LLCEMR050NW	50W	5500	4000K	27087
CUBE MICRO	LLCEMR100NW	100W	11000	4000K	54172
CUBE MICRO	LLCEMR150NW	150W	16500	4000K	81259
CUBE MICRO	LLCEMR200NW	200W	22000	4000K	108345
CUBE MICRO	LLCEMR300NW	300W	33000	4000K	162519
CUBE MICRO	LLCEMR240NW	400W	44000	4000K	216691

CUBE MINI



MODEL	PRODUCT CODE	POWER	LUMEN	CCT	LP
CUBE MINI	LLCEMN036NW	36W	3960	4000K	30096
CUBE MINI	LLCEMN072NW	72W	7920	4000K	60192
CUBE MINI	LLCEMN144NW	144W	15840	4000K	120384

CUBE MIDI



MODEL	PRODUCT CODE	POWER	LUMEN	CCT	LP
CUBE MIDI	LLCEMD108NW	108W	11880	4000K	90288
CUBE MIDI	LLCEMD144NW	144W	15840	4000K	120384
CUBE MIDI	LLCEMD216NW	216W	23760	4000K	180576
CUBE MIDI	LLCEMD288NW	288W	31680	4000K	240768

CONTESA MICRO (D)



MODEL	PRODUCT CODE	POWER	LUMEN	CCT	LP
CONTESA	LLCAMC09NW	9W	945	4000K	25680
CONTESA	LLCAMC18NW	18W	1890	4000K	30096
CONTESA	LLCAMC24NW	24W	2520	4000K	36114

Length - 500-600mm
 Operating Voltage - 24 VDC
 Driver - Not Included

All fixtures are available in 3000K and 6500K color temperature.

CONTESA MINI (D)



MODEL	PRODUCT CODE	POWER	LUMEN	CCT	LP
CONTESA MINI (D)	LLLCAMND40NW	40W	4000	4000K	24076
CONTESA MINI (D)	LLLCAMND54NW	54W	5400	4000K	27087
CONTESA MINI (D)	LLLCAMND24RGB	24W	—	RGB/RGBW	36116
CONTESA MINI (D)	LLLCAMND48RGB	48W	—	RGB/RGBW	48154

Length - 1000-1200mm
 Operating Voltage - 24 VDC
 Driver - Not Included

CONTESA MICRO



MODEL	PRODUCT CODE	POWER	LUMEN	CCT	LP
CONTESA MICRO	LLLCAMC20NW	20W	1890	4000K	25039
CONTESA MICRO	LLLCAMC26NW	26W	2520	4000K	29065

Length - 500-600mm

CONTESA MINI



MODEL	PRODUCT CODE	POWER	LUMEN	CCT	LP
CONTESA MINI	LLLCAMN40NW	40W	3780	4000K	39124
CONTESA MINI	LLLCAMN54NW	54W	5040	4000K	43624
CONTESA MINI	LLLCAMN60NW	60W	5670	4000K	45135

Length - 1000-1200mm

CONTESA MAXI



MODEL	PRODUCT CODE	POWER	LUMEN	CCT	LP
CONTESA MAXI	LLLCAMX18NW	18W	1710	4000K	40861
CONTESA MAXI	LLLCAMX36NW	36W	3420	4000K	71401
CONTESA MAXI	LLLCAMX72NW	72W	6840	4000K	125884

Length - 1000-1200mm



ACQUA (R) - IP68

MODEL	PRODUCT CODE	POWER	LUMEN	CCT	LP
ACQUA (R)	LLAAR3NW	3W	120	4000K	16510
ACQUA (R)	LLAAR6NW	6W	240	4000K	29718
ACQUA (R)	LLAAR9NW	9W	360	4000K	44792
ACQUA (R)	LLAAR12RGB	12W	-	RGB	P.O.R

Operating Voltage - 24VDC
Driver - Not included

ACQUA (S) - IP68



MODEL	PRODUCT CODE	POWER	LUMEN	CCT	LP
ACQUA (S)	LLAAS3NW	3W	120	4000K	17866
ACQUA (S)	LLAAS6NW	6W	240	4000K	32971
ACQUA (S)	LLAAS9NW	9W	360	4000K	47429
ACQUA (S)	LLAAS12RGB	12W	-	RGB	P.O.R

Operating Voltage - 24VDC
Driver - Not included



All fixtures are available in 3000K and 6500K color temperature.

DOT



MODEL	PRODUCT CODE	POWER	LUMEN	CCT	LP
DOT	LLDT3NW	3W	300	4000K	1762
DOT	LLDT6NW	6W	600	4000K	9552

AEROFLOOD QUBIK



MODEL	PRODUCT CODE	POWER	LUMEN	CCT	LP
AF QUBIK	LLADQK010NW	10W	-	4000K	13134
AF QUBIK	LLADQK020NW	20W	-	4000K	17014
AF QUBIK	LLADQK036NW	36W	-	4000K	25728
AF QUBIK	LLADQK050NW	50W	-	4000K	32238

AEROFLOOD QUADRA



MODEL	PRODUCT CODE	POWER	LUMEN	CCT	LP
AF QUADRA	LLADQA075NW	75W	7500	4000K	17910
AF QUADRA	LLADQA100NW	100W	10000	4000K	23880
AF QUADRA	LLADQA135NW	135W	13500	4000K	32238
AF QUADRA	LLADQA150NW	150W	15000	4000K	35820
AF QUADRA	LLADQA175NW	175W	17500	4000K	41790
AF QUADRA	LLADQA200NW	200W	20000	4000K	47760

AEROFLOOD DAZZLE



MODEL	PRODUCT CODE	POWER	LUMEN	CCT	LP
AF DAZZLE	LLADDE240NW	240W	24000	4000K	38208
AF DAZZLE	LLADDE300NW	300W	30000	4000K	47460
AF DAZZLE	LLADDE350NW	350W	35000	4000K	55720

AEROFLOOD QUADRA DUO



MODEL	PRODUCT CODE	POWER	LUMEN	CCT	LP
AF QUADRA DUO	LLADQD400NW	400W	40000	4000K	63680

AEROFLOOD DAZZLE DUO



MODEL	PRODUCT CODE	POWER	LUMEN	CCT	LP
AF DAZZLE DUO	LLADDD500NW	500W	50000	4000K	79600
AF DAZZLE DUO	LLADDD600NW	600W	60000	4000K	87665
AF DAZZLE DUO	LLADDD700NW	700W	70000	4000K	95520

AEROFLOOD STADIA



MODEL	PRODUCT CODE	POWER	LUMEN	CCT	LP
AF STADIA	LLADSA0750NW	750W	75000	4000K	119400
AF STADIA	LLADSA0900NW	900W	90000	4000K	143280
AF STADIA	LLADSA1050NW	1050W	105000	4000K	167160

LINIA - MICRO



MODEL	PRODUCT CODE	POWER	LUMEN	CCT	LP
LINEA	LLLA012NW	12W	1200	4000K	14510
LINEA	LLLA018NW	18W	1800	4000K	16592
LINEA	LLLA024NW	24W	2400	4000K	22924

Length - 500 - 600mm

LINEA - MINI



MODEL	PRODUCT CODE	POWER	LUMEN	CCT	LP
LINEA	LLA030WNW	30W	3000	4000K	23880
LINEA	LLA036WNW	36W	3600	4000K	28656
LINEA	LLA045WNW	45W	4500	4000K	32238

Length - 1000 - 1200mm

LINEA - MIDI



MODEL	PRODUCT CODE	POWER	LUMEN	CCT	LP
LINEA	LLA120WNW	50W	5000	4000K	30447
LINEA	LLA100WNW	60W	6000	4000K	36536
LINEA	LLA090WNW	70W	7000	4000K	42625
LINEA	LLA080WNW	80W	8000	4000K	48715
LINEA	LLA070WNW	90W	9000	4000K	54804
LINEA	LLA060WNW	100W	10000	4000K	60894
LINEA	LLA050WNW	120W	12000	4000K	73072

Length - 1000-1200mm

AEROFLOOD QUBIK RGB/RGBW



MODEL	PRODUCT CODE	POWER	LUMEN	CCT	LP
AF QUBIK	LLADQK010RGB/RGBW	10W	-	RGB/RGBW	23880
AF QUBIK	LLADQK020RGB/RGBW	20W	-	RGB/RGBW	30248
AF QUBIK	LLADQK040RGB/RGBW	40W	-	RGB/RGBW	35820

LINEA - MICRO RGB/RGBW



MODEL	PRODUCT CODE	POWER	LUMEN	CCT	LP
LINEA MICRO	LLA012RGB/RGBW	12W	-	RGB/RGBW	27860
LINEA MICRO	LLA018RGB/RGBW	18W	-	RGB/RGBW	30248
LINEA MICRO	LLA024RGB/RGBW	24W	-	RGB/RGBW	35820

Length - 500-600mm

LINEA - MINI



MODEL	PRODUCT CODE	POWER	LUMEN	CCT	LP
LINEA MINI	LLLAMN036RGB/RGBW	36W	-	RGB/RGBW	39004
LINEA MINI	LLLAMN050RGB/RGBW	50W	-	RGB/RGBW	42984
LINEA MINI	LLLAMN060RGB/RGBW	60W	-	RGB/RGBW	47760
LINEA MINI	LLLAMN070RGB/RGBW	70W	-	RGB/RGBW	54924
LINEA MINI	LLLAMN100RGB/RGBW	100W	-	RGB/RGBW	59720
LINEA MINI	LLLAMN120RGB/RGBW	120W	-	RGB/RGBW	66864

Length - 1000-1200mm

AEROFLOOD QUADRA RGB/RGBW



MODEL	PRODUCT CODE	POWER	LUMEN	CCT	LP
AF QUADRA	LLADQA300RGB/RGBW	75W	-	RGB/RGBW	41790
AF QUADRA	LLADQA240RGB/RGBW	100W	-	RGB/RGBW	47460
AF QUADRA	LLADQA200RGB/RGBW	135W	-	RGB/RGBW	64476
AF QUADRA	LLADQA175RGB/RGBW	150W	-	RGB/RGBW	71640
AF QUADRA	LLADQA150RGB/RGBW	175W	-	RGB/RGBW	83850
AF QUADRA	LLADQA135RGB/RGBW	200W	-	RGB/RGBW	95520
AF QUADRA	LLADQA100RGB/RGBW	240W	-	RGB/RGBW	114624
AF QUADRA	LLADQA075RGB/RGBW	300W	-	RGB/RGBW	143280

AEROFLOOD DAZZLE RGB/RGBW

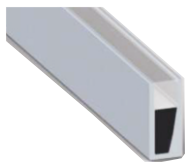


MODEL	PRODUCT CODE	POWER	LUMEN	CCT	LP
AF DAZZLE	LLADDE350RGB/RGBW	350W	-	RGB/RGBW	P.O.R
AF DAZZLE	LLADDE400RGB/RGBW	400W	-	RGB/RGBW	P.O.R
AF DAZZLE	LLADDE500RGB/RGBW	500W	-	RGB/RGBW	P.O.R
AF DAZZLE	LLADDE600RGB/RGBW	600W	-	RGB/RGBW	P.O.R



All fixtures are available in 3000K and 6500K color temperature.

PROFILE H6



MODEL	PRODUCT CODE	POWER	LUMEN	CCT	LP
PROFILE H6	LLPEH606NW	6W	360	4000K	POR
PROFILE H6	LLPEH610NW	10W	600	4000K	POR
PROFILE H6	LLPEH615NW	15W	NA	4000K	POR
PROFILE H6	LLPEH620NW	20W	NA	4000K	POR

Dimension W - 6mm, H - 14mm, L - Upto 3000mm

PROFILE H15



MODEL	PRODUCT CODE	POWER	LUMEN	CCT	LP
PROFILE H15	LLPEH1506NW	6W	430	4000K	POR
PROFILE H15	LLPEH1510NW	10W	720	4000K	POR
PROFILE H15	LLPEH1515NW	15W	NA	4000K	POR
PROFILE H15	LLPEH1520NW	20W	NA	4000K	POR
PROFILE H15	LLPEH1525NW	25W	NA	4000K	POR

Dimension W - 15mm, H - 20mm, L - Upto 3000mm

PROFILE S15



MODEL	PRODUCT CODE	POWER	LUMEN	CCT	LP
PROFILE S15	LLPES1506NW	6W	390	4000K	POR
PROFILE S15	LLPES1510NW	10W	600	4000K	POR
PROFILE S15	LLPES1515NW	15W	NA	4000K	POR
PROFILE S15	LLPES1520NW	20W	NA	4000K	POR
PROFILE S15	LLPES1525NW	25W	NA	4000K	POR

Dimension W - 15mm, H - 20mm, L - Upto 3000mm

PROFILE R23



MODEL	PRODUCT CODE	POWER	LUMEN	CCT	LP
PROFILE R23	LLPER2306NW	6W	360	4000K	POR
PROFILE R23	LLPER2310NW	10W	600	4000K	POR
PROFILE R23	LLPER2315NW	15W	NA	4000K	POR
PROFILE R23	LLPER2320NW	20W	NA	4000K	POR
PROFILE R23	LLPER2325NW	25W	NA	4000K	POR

Dimension W - 23mm (Cutout: 15mm), H - 25mm, L - 3000mm

PROFILE H20



MODEL	PRODUCT CODE	POWER	LUMEN	CCT	LP
PROFILE H20	LLPEH2006NW	6W	390	4000K	POR
PROFILE H20	LLPEH2010NW	10W	660	4000K	POR
PROFILE H20	LLPEH2015NW	15W	760	4000K	POR
PROFILE H20	LLPEH2020NW	20W	NA	4000K	POR
PROFILE H20	LLPEH2025NW	25W	NA	4000K	POR

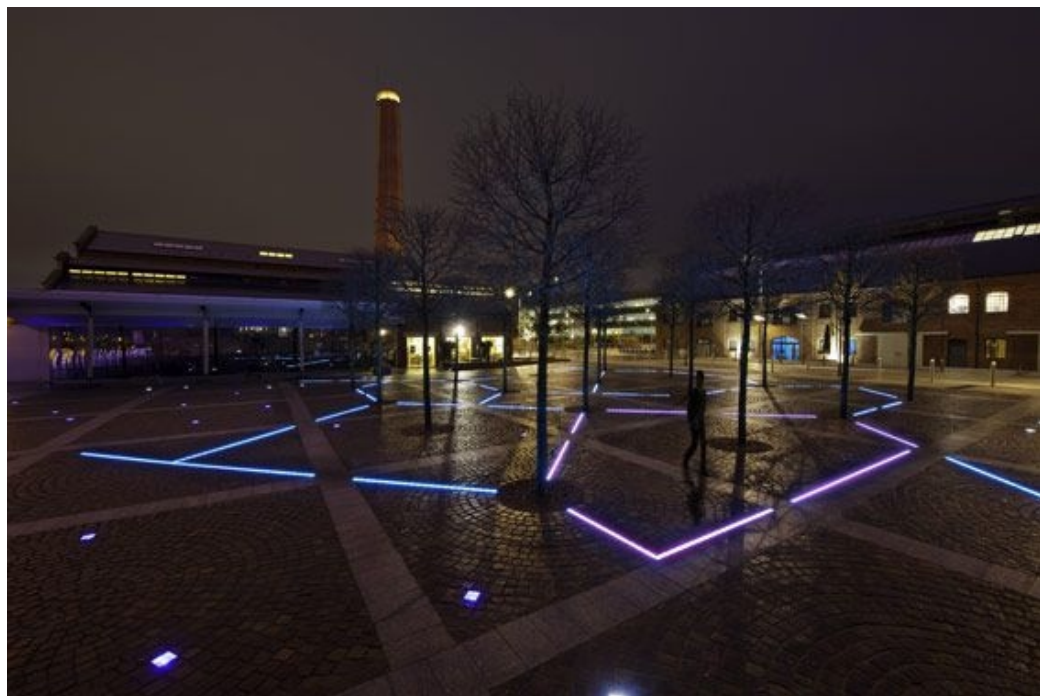
Dimension W - 20mm, H - 20mm, L - Upto 3000mm

PROFILE H25



MODEL	PRODUCT CODE	POWER	LUMEN	CCT	LP
PROFILE H25	LLPEH2506NW	6W	430	4000K	POR
PROFILE H25	LLPEH2510NW	10W	720	4000K	POR
PROFILE H25	LLPEH2515NW	15W	1080	4000K	POR
PROFILE H25	LLPEH2520NW	20W	1440	4000K	POR
PROFILE H25	LLPEH2525NW	25W	1800	4000K	POR
PROFILE H25	LLPEH2536NW	36W	NA	4000K	POR

Dimension W - 25mm, H - 20mm, L - Upto 3000mm



All fixtures are available in 3000K and 6500K color temperature.

CUSTOMIZED SOLUTIONS

Light and Sound Show

Laser Show/ 3D Mapping

Pixel RGB

Musical Fountain

Decorative Art works

- Systematic combination of Light & Sound.
- Used for live and amaze feeling.
- Different colors of light can be used to enhance emotional aspects of performance.
- Application Area: Fort, Pond, Bridge, Religious place, Museum and many more.



- Laser beam with visible Spectrum (400-700nm wavelength).
Highly directional.
- Available with Single and multi-color which allows for effects such as animated images and patterns.
- Application Area: Fort, Park, River Front, Monuments, Historical Places and many more.



- Highest protection grade IP68.
- Suitable for a low temperature (-40 OC) and high temperature area (+55 OC)
- Anti UV-4, without self cracking an obvious discoloration in outdoor for 10 years.
- Flexible in installation, could adjust the LED pitch according to customer requirement.
- Application area: Outdoor LED display, facade lighting, signage, landscape and bridges.



- A musical fountain, also known as a dancing fountain.
- Effects of timed sound waves and timed light against water particles.
- High quality products with expert installation wide range of Fountain Design.
- Floating musical fountain: Water screen, projector and other hardwares.
- Application Area: River Front, Lakes, Ponds etc.



- Complete solution for decorative art work.
- Indoor and outdoor application matching to all kind of requirement.
- Artificial flowers, animals with LED illumination inspired by nature.
- Artificial tunnel in Static and Dynamic effect.
- Application Area: Kids Park, Pathways etc.

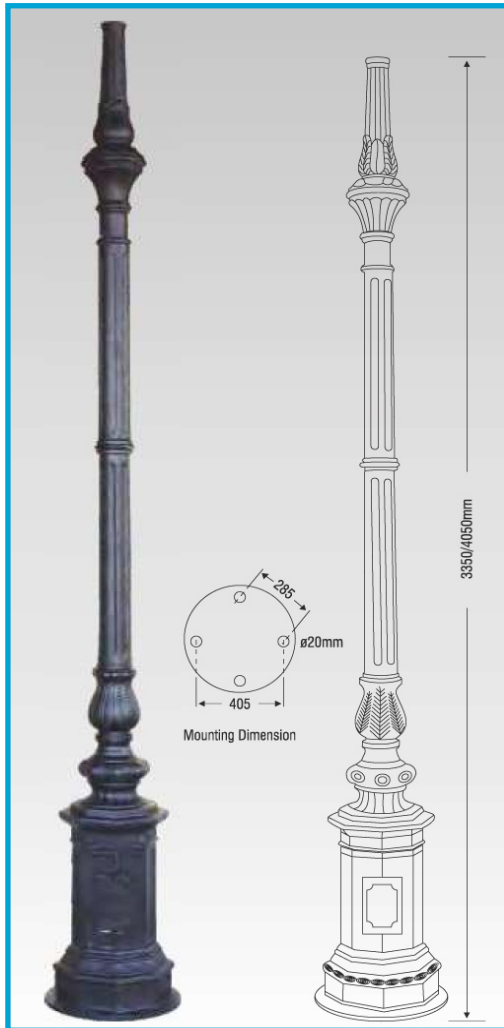


DECORATIVE AND SMART POLES

- Material : Ast Iron / Ast Alluminium / MS / GI Hybrid
- Design Heritage / Urban
- Coating : PU Painted / Powder coated



SLOPIA



PRODUCT CODE

HEIGHT

LP

LLDP 01.3

3000mm

P.O.R

LLDP 01.4

4000mm

P.O.R

LLDP 01.5

5000mm

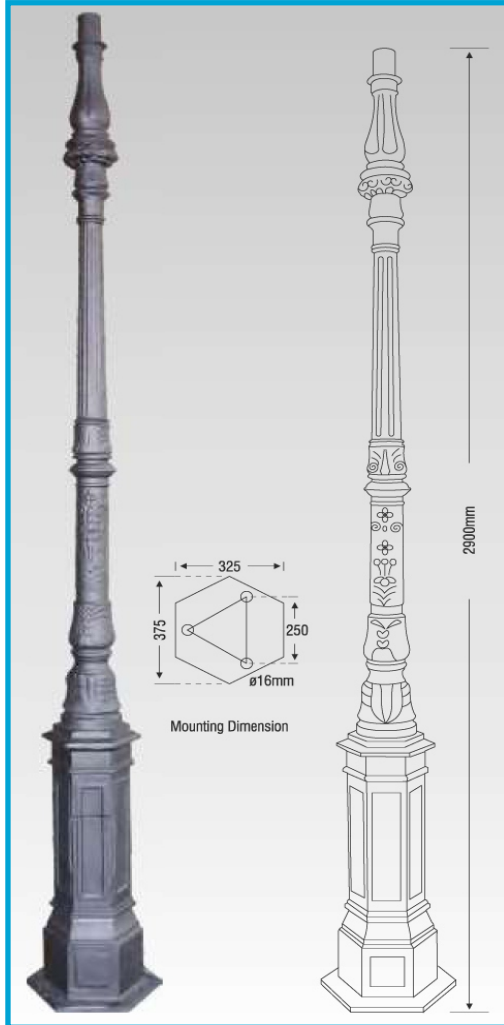
P.O.R

LLDP 01.6

6000mm

P.O.R

MAGA



PRODUCT CODE

HEIGHT

LP

LLDP 02.3

3000mm

P.O.R

LLDP 02.4

4000mm

P.O.R

LLDP 02.5

5000mm

P.O.R

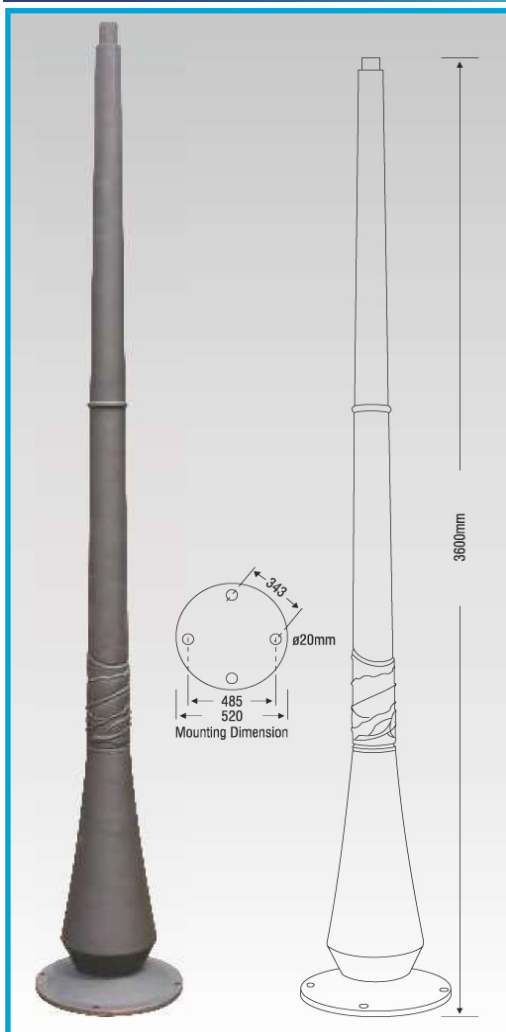
LLDP 02.6

6000mm

P.O.R

All fixtures are available in 3000K and 6500K color temperature.

LAMELLE



PRODUCT CODE

HEIGHT

LP

LLDP 03.3

3000mm

P.O.R

LLDP 03.4

4000mm

P.O.R

LLDP 03.5

5000mm

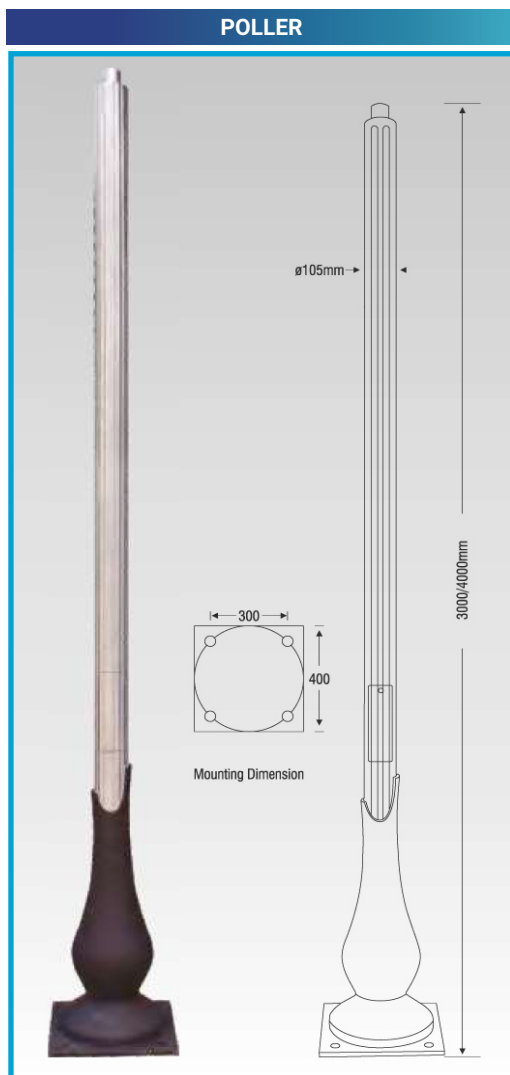
P.O.R

LLDP 03.6

6000mm

P.O.R

All fixtures are available in 3000K and 6500K color temperature.



PRODUCT CODE	HEIGHT	LP
LLDP 04.3	3000mm	P.O.R
LLDP 04.4	4000mm	P.O.R
LLDP 04.5	5000mm	P.O.R
LLDP 04.6	6000mm	P.O.R

All fixtures are available in 3000K and 6500K color temperature.

SCANDIA



PRODUCT CODE

HEIGHT

LP

LLDP 05.3

3000mm

P.O.R

LLDP 05.4

4000mm

P.O.R

LLDP 05.5

5000mm

P.O.R

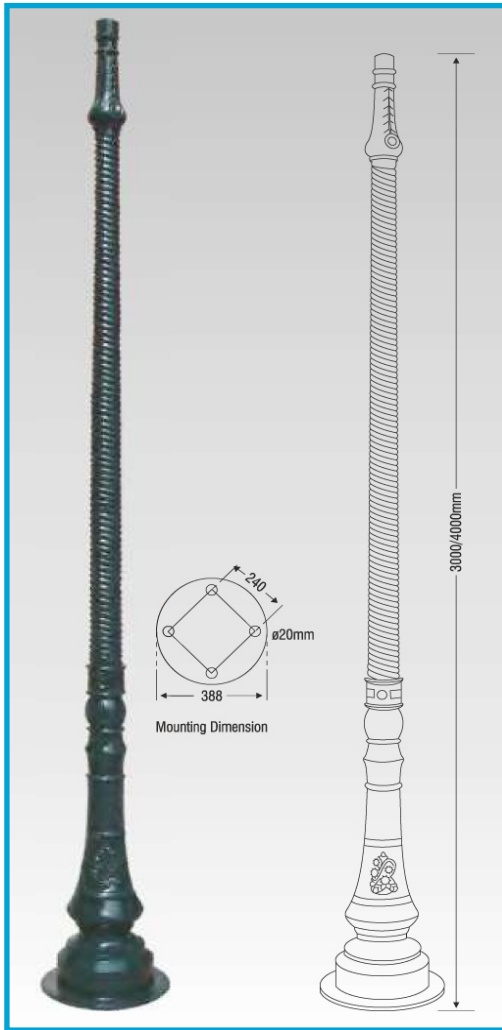
LLDP 05.6

6000mm

P.O.R

All fixtures are available in 3000K and 6500K color temperature.

KUGL



PRODUCT CODE

HEIGHT

LP

LLDP 06.3

3000mm

P.O.R

LLDP 06.4

4000mm

P.O.R

LLDP 06.5

5000mm

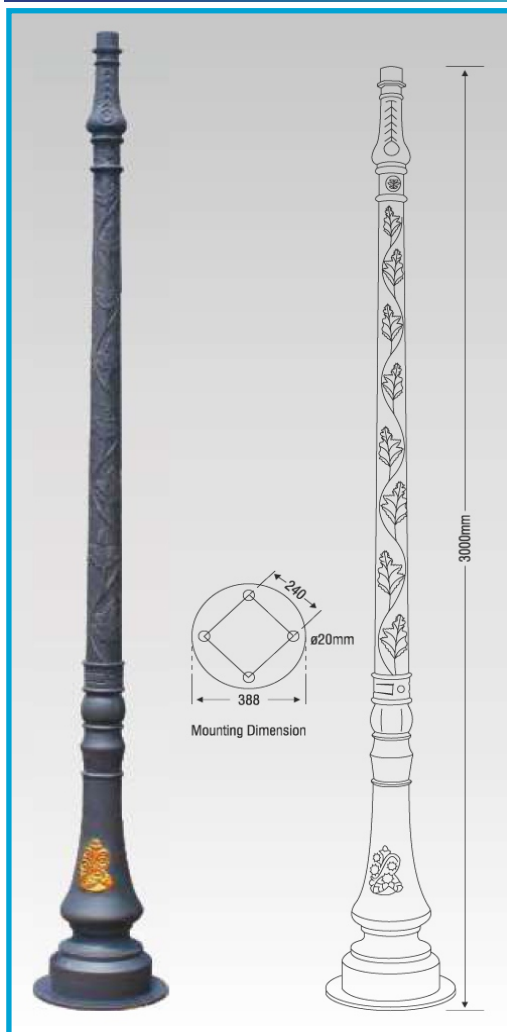
P.O.R

LLDP 06.6

6000mm

P.O.R

TRIGON



PRODUCT CODE

HEIGHT

LP

LLDP 07.3

3000mm

P.O.R

LLDP 07.4

4000mm

P.O.R

LLDP 07.5

5000mm

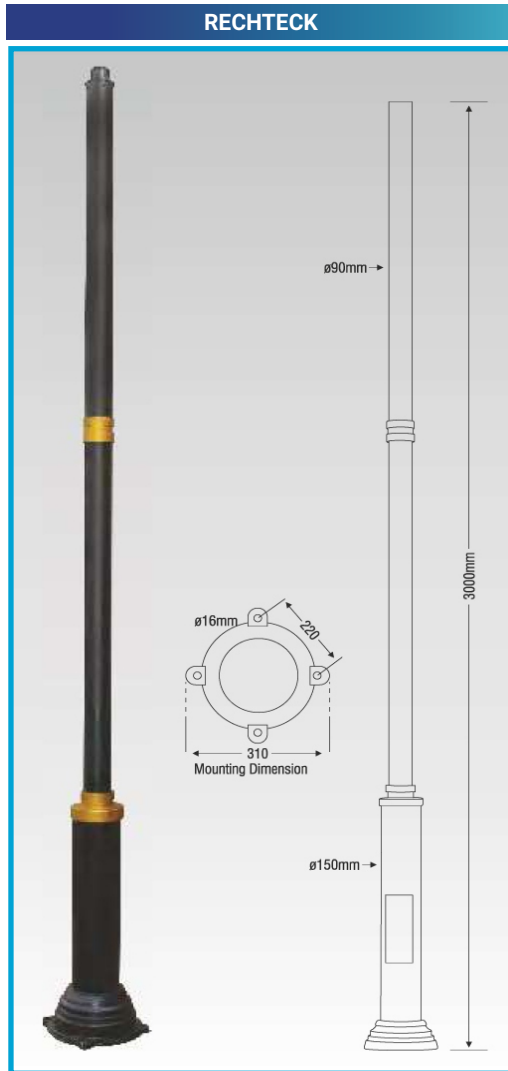
P.O.R

LLDP 07.6

6000mm

P.O.R

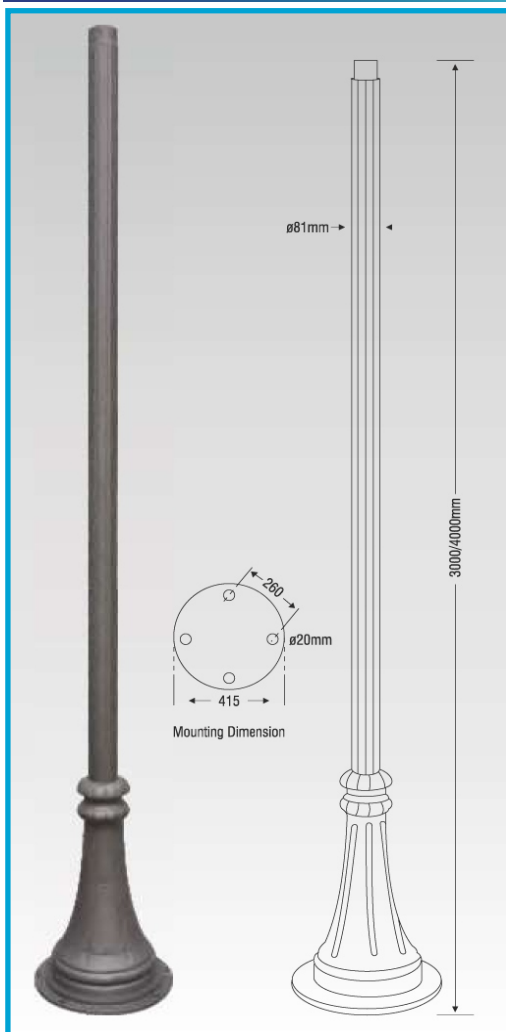
All fixtures are available in 3000K and 6500K color temperature.



PRODUCT CODE	HEIGHT	LP
LLDP 08.3	3000mm	P.O.R
LLDP 08.4	4000mm	P.O.R
LLDP 08.5	5000mm	P.O.R
LLDP 08.6	6000mm	P.O.R

All fixtures are available in 3000K and 6500K color temperature.

MONDANAT



PRODUCT CODE

HEIGHT

LP

LLDP 09.3

3000mm

P.O.R

LLDP 09.4

4000mm

P.O.R

LLDP 09.5

5000mm

P.O.R

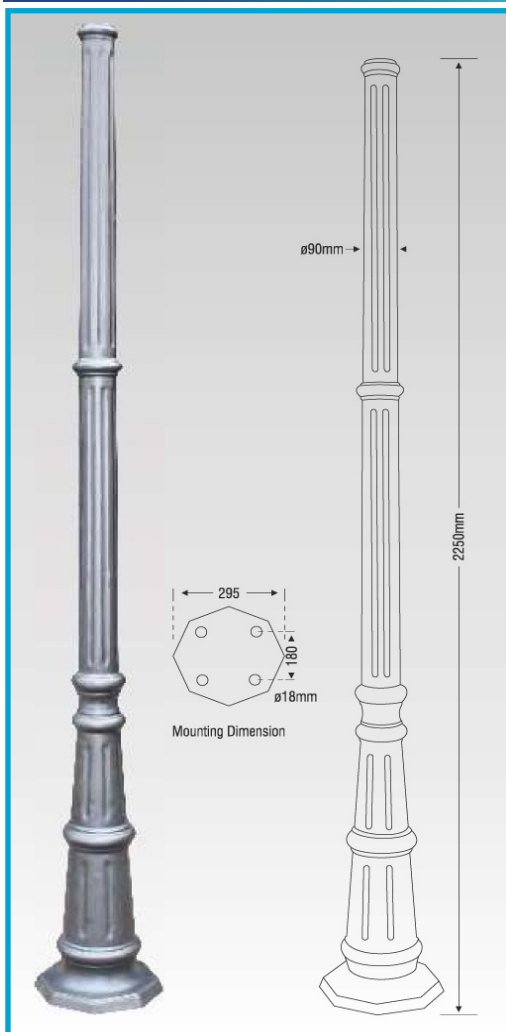
LLDP 09.6

6000mm

P.O.R

All fixtures are available in 3000K and 6500K color temperature.

DOUALA



PRODUCT CODE	HEIGHT	LP
LLDP 10.3	3000mm	P.O.R
LLDP 10.4	4000mm	P.O.R
LLDP 10.5	5000mm	P.O.R
LLDP 10.6	6000mm	P.O.R

All fixtures are available in 3000K and 6500K color temperature.

MEGAN



PRODUCT CODE

HEIGHT

LP

LLDP 11.3

3000mm

P.O.R

LLDP 11.4

4000mm

P.O.R

LLDP 11.5

5000mm

P.O.R

LLDP 11.6

6000mm

P.O.R

All fixtures are available in 3000K and 6500K color temperature.

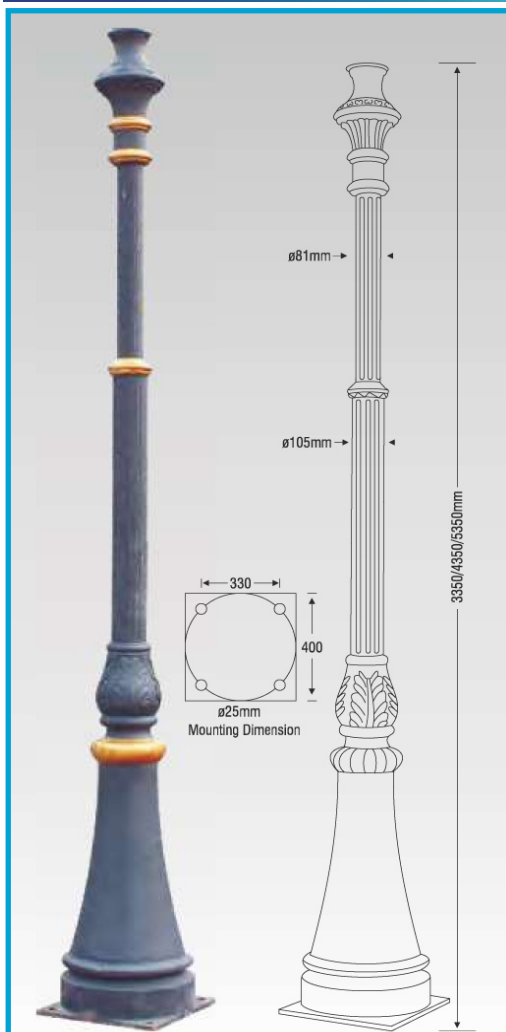
TAGORA



PRODUCT CODE	HEIGHT	LP
LLDP 12.3	3000mm	P.O.R
LLDP 12.4	4000mm	P.O.R
LLDP 12.5	5000mm	P.O.R
LLDP 12.6	6000mm	P.O.R

All fixtures are available in 3000K and 6500K color temperature.

TORUS



PRODUCT CODE

HEIGHT

LP

LLDP 13.3

3000mm

P.O.R

LLDP 13.4

4000mm

P.O.R

LLDP 13.5

5000mm

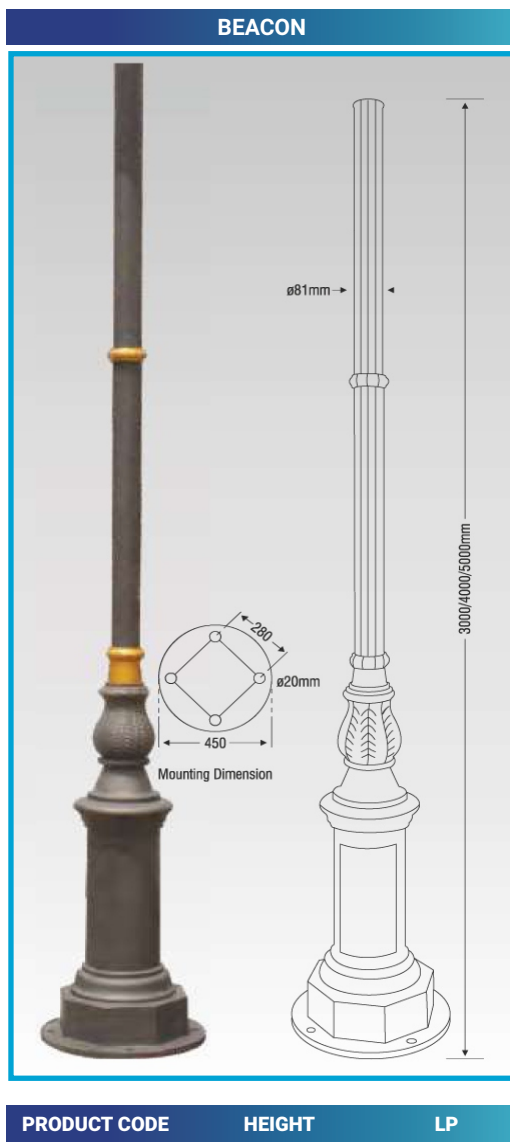
P.O.R

LLDP 13.6

6000mm

P.O.R

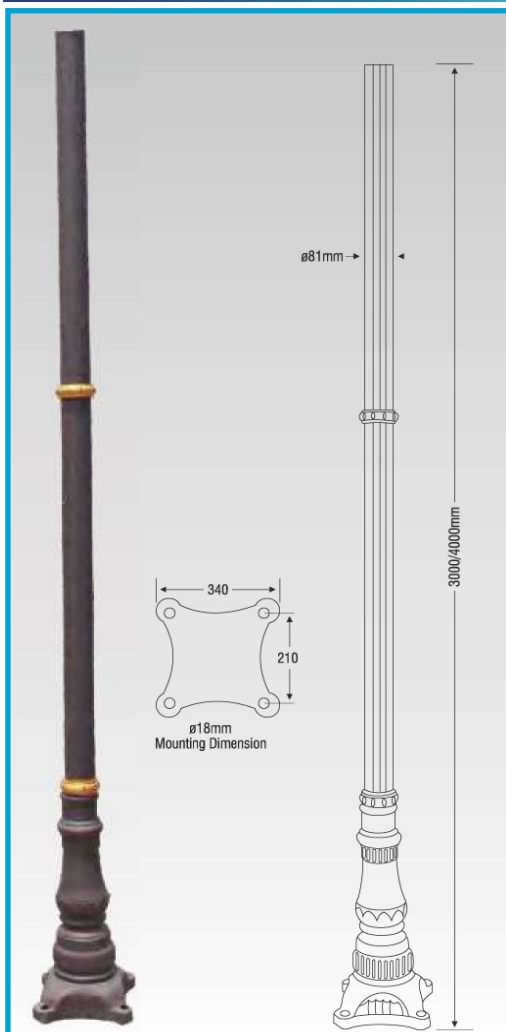
All fixtures are available in 3000K and 6500K color temperature.



PRODUCT CODE	HEIGHT	LP
LLDP 14.3	3000mm	P.O.R
LLDP 14.4	4000mm	P.O.R
LLDP 14.5	5000mm	P.O.R
LLDP 14.6	6000mm	P.O.R

All fixtures are available in 3000K and 6500K color temperature.

DACAPO



PRODUCT CODE

HEIGHT

LP

LLDP 15.3

3000mm

P.O.R

LLDP 15.4

4000mm

P.O.R

LLDP 15.5

5000mm

P.O.R

LLDP 15.6

6000mm

P.O.R

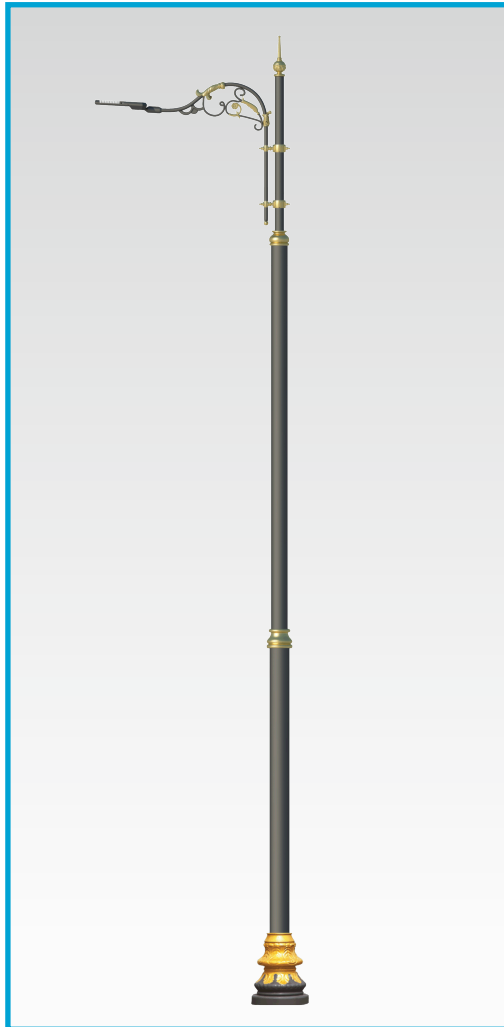
MOTTO



PRODUCT CODE	HEIGHT	LP
LLDP 16.3	3000mm	P.O.R
LLDP 16.4	4000mm	P.O.R
LLDP 16.5	5000mm	P.O.R
LLDP 16.6	6000mm	P.O.R

All fixtures are available in 3000K and 6500K color temperature.

LUSINA



PRODUCT CODE

HEIGHT

LP

LLDP 17.3

3000mm

P.O.R

LLDP 17.4

4000mm

P.O.R

LLDP 17.5

5000mm

P.O.R

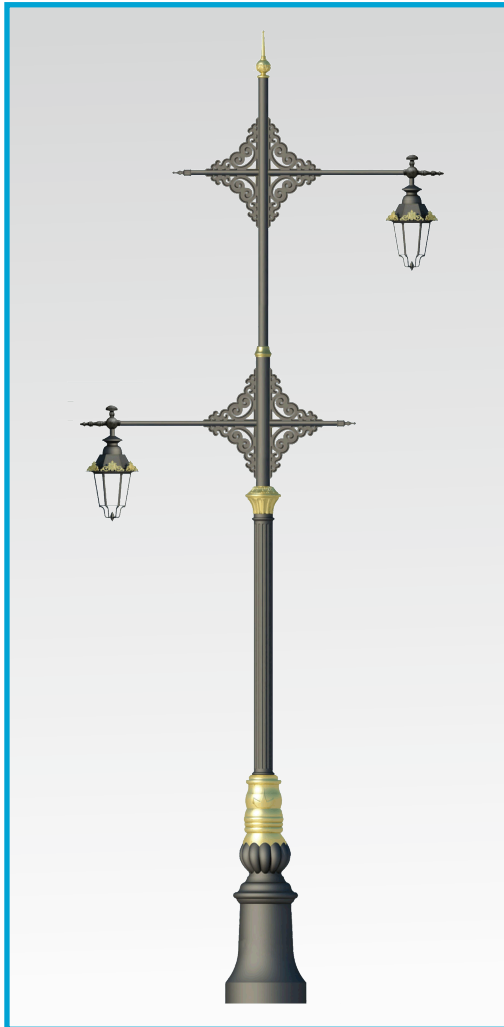
LLDP 17.6

6000mm

P.O.R

All fixtures are available in 3000K and 6500K color temperature.

SKYLINE

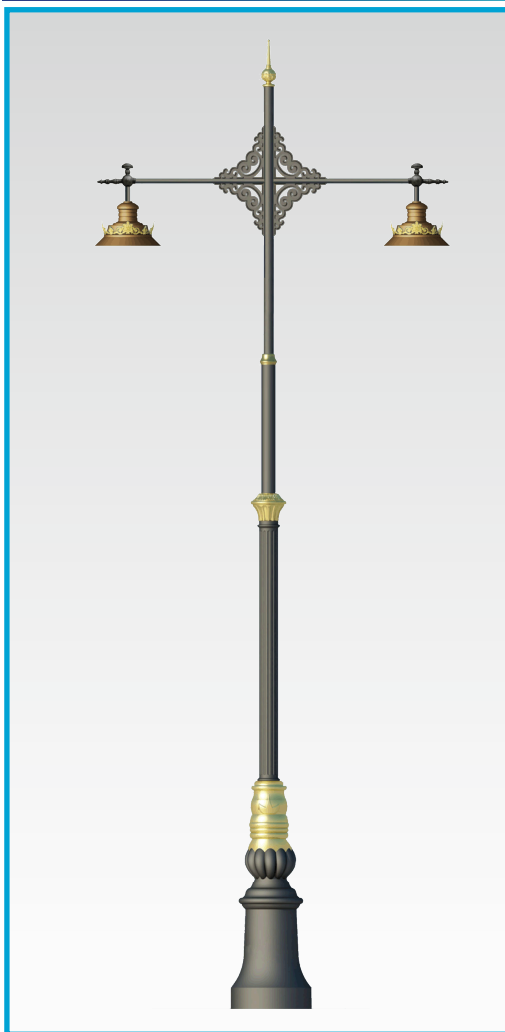


PRODUCT CODE	HEIGHT	LP
--------------	--------	----

LLDP 18.3	3000mm	P.O.R
LLDP 18.4	4000mm	P.O.R
LLDP 18.5	5000mm	P.O.R
LLDP 18.6	6000mm	P.O.R

All fixtures are available in 3000K and 6500K color temperature.

DYNA



PRODUCT CODE

HEIGHT

LP

LLDP 19.3

3000mm

P.O.R

LLDP 19.4

4000mm

P.O.R

LLDP 19.5

5000mm

P.O.R

LLDP 19.6

6000mm

P.O.R

All fixtures are available in 3000K and 6500K color temperature.

ALMISA

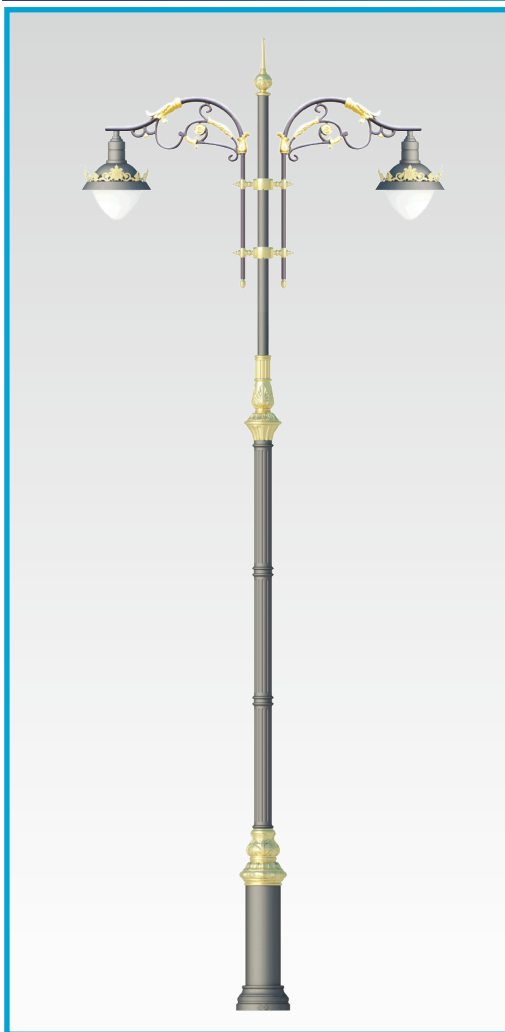


PRODUCT CODE	HEIGHT	LP
--------------	--------	----

LLDP 20.3	3000mm	P.O.R
LLDP 20.4	4000mm	P.O.R
LLDP 20.5	5000mm	P.O.R
LLDP 20.6	6000mm	P.O.R

All fixtures are available in 3000K and 6500K color temperature.

JEKUTA



PRODUCT CODE

HEIGHT

LP

LLDP 21.3

3000mm

P.O.R

LLDP 21.4

4000mm

P.O.R

LLDP 21.5

5000mm

P.O.R

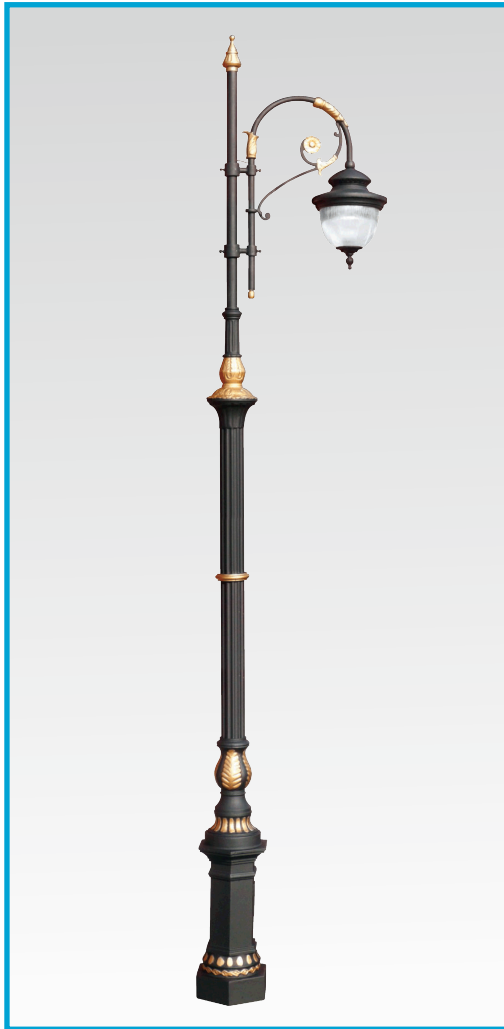
LLDP 21.6

6000mm

P.O.R

All fixtures are available in 3000K and 6500K color temperature.

HUPTA



PRODUCT CODE	HEIGHT	LP
LLDP 22.3	3000mm	P.O.R
LLDP 22.4	4000mm	P.O.R
LLDP 22.5	5000mm	P.O.R
LLDP 22.6	6000mm	P.O.R

All fixtures are available in 3000K and 6500K color temperature.

LOMINI



PRODUCT CODE

HEIGHT

LP

LLDP 23.3

3000mm

P.O.R

LLDP 23.4

4000mm

P.O.R

LLDP 23.5

5000mm

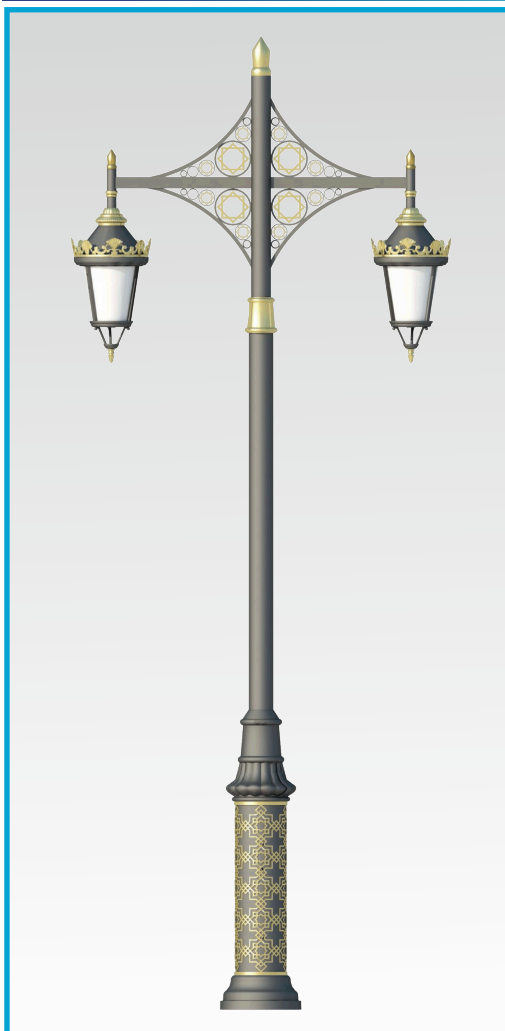
P.O.R

LLDP 23.6

6000mm

P.O.R

GYTANA

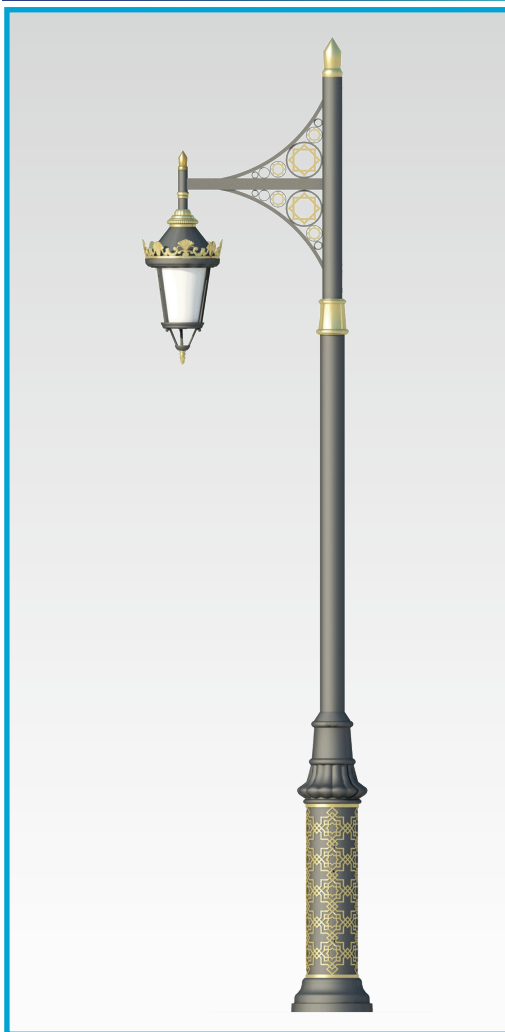


PRODUCT CODE	HEIGHT	LP
--------------	--------	----

LLDP 24.3	3000mm	P.O.R
LLDP 24.4	4000mm	P.O.R
LLDP 24.5	5000mm	P.O.R
LLDP 24.6	6000mm	P.O.R

All fixtures are available in 3000K and 6500K color temperature.

RIVOLI



PRODUCT CODE

HEIGHT

LP

LLDP 25.3

3000mm

P.O.R

LLDP 25.4

4000mm

P.O.R

LLDP 25.5

5000mm

P.O.R

LLDP 25.6

6000mm

P.O.R

All fixtures are available in 3000K and 6500K color temperature.

SURF



PRODUCT CODE	HEIGHT	LP
LLDP 26.3	3000mm	P.O.R
LLDP 26.4	4000mm	P.O.R
LLDP 26.5	5000mm	P.O.R
LLDP 26.6	6000mm	P.O.R

All fixtures are available in 3000K and 6500K color temperature.

Lecce Lighting offers wide range of customized solutions as per customer requirement.

Lighting Pole With Artificial Intelligence

- 360° Video Surveillance.
- Panic button automatically alerts
- Air Pollution Sensors.
- LED Displays.
- WIFI hub capabilities.
- Charging Integration
- High Efficiency “Smart” LED Lighting.
- RFID
- Customizable Sensor Mount System.



Smart Tubular Pole



PRODUCT CODE

HEIGHT

LP

LLSP 01.3

3000mm

P.O.R

LLSP 01.4

4000mm

P.O.R

LLSP 01.5

5000mm

P.O.R

LLSP 01.6

6000mm

P.O.R

All fixtures are available in 3000K and 6500K color temperature.

Tri-Color Tubular Pole



PRODUCT CODE	HEIGHT	LP
LLSP 02.3	3000mm	P.O.R
LLSP 02.4	4000mm	P.O.R
LLSP 02.5	5000mm	P.O.R
LLSP 02.6	6000mm	P.O.R

All fixtures are available in 3000K and 6500K color temperature.

Signature Pole



PRODUCT CODE	HEIGHT	LP
LLSGP 03.3	3000mm	P.O.R
LLSGP 03.4	4000mm	P.O.R
LLSGP 03.5	5000mm	P.O.R
LLSGP 03.6	6000mm	P.O.R

All fixtures are available in 3000K and 6500K color temperature.

Signature Pole



PRODUCT CODE	HEIGHT	LP
--------------	--------	----

LLSGP 04.3	3000mm	P.O.R
LLSGP 04.4	4000mm	P.O.R
LLSGP 04.5	5000mm	P.O.R
LLSGP 04.6	6000mm	P.O.R

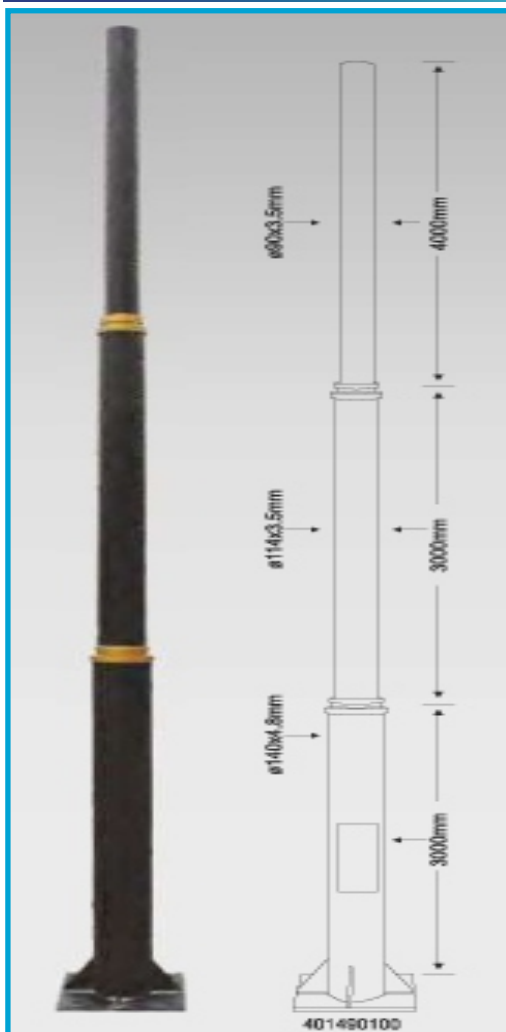
All fixtures are available in 3000K and 6500K color temperature.

CLASSICAL POLES

- Material: Cast Iron/ Cast Aluminium/ MS /GI Hybrid.
- Design heritage/ Urban.
- Coating: PU Painted/ Powder coat



MIKADO



PRODUCT CODE

HEIGHT

LP

LLCP 01.3

3000mm

P.O.R

LLCP 01.4

4000mm

P.O.R

LLCP 01.5

5000mm

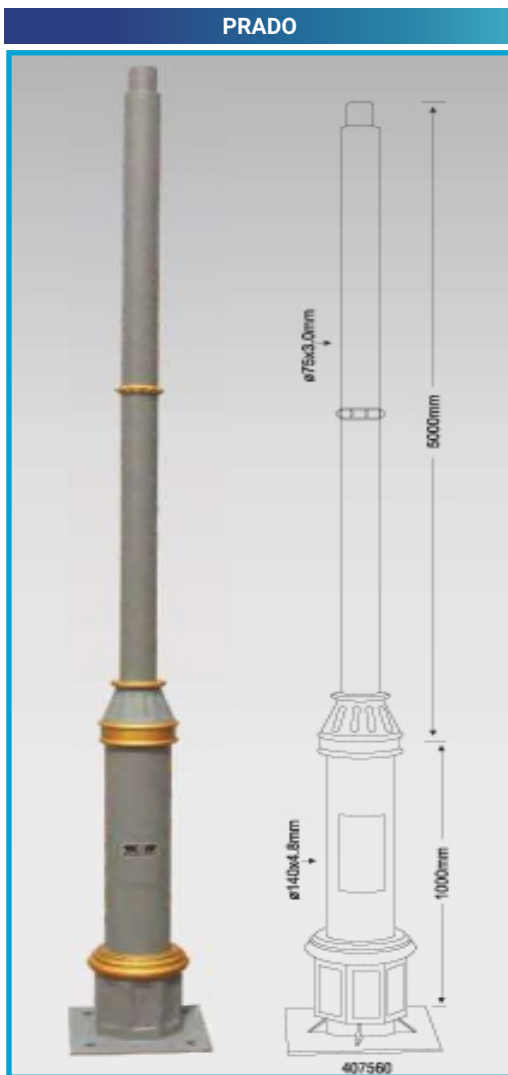
P.O.R

LLCP 01.6

6000mm

P.O.R

All fixtures are available in 3000K and 6500K color temperature.



PRODUCT CODE	HEIGHT	LP
--------------	--------	----

LLCP 02.3	3000mm	P.O.R
LLCP 02.4	4000mm	P.O.R
LLCP 02.5	5000mm	P.O.R
LLCP 02.6	6000mm	P.O.R

All fixtures are available in 3000K and 6500K color temperature.

FRESCO



PRODUCT CODE

HEIGHT

LP

LLCP 03.3

3000mm

P.O.R

LLCP 03.4

4000mm

P.O.R

LLCP 03.5

5000mm

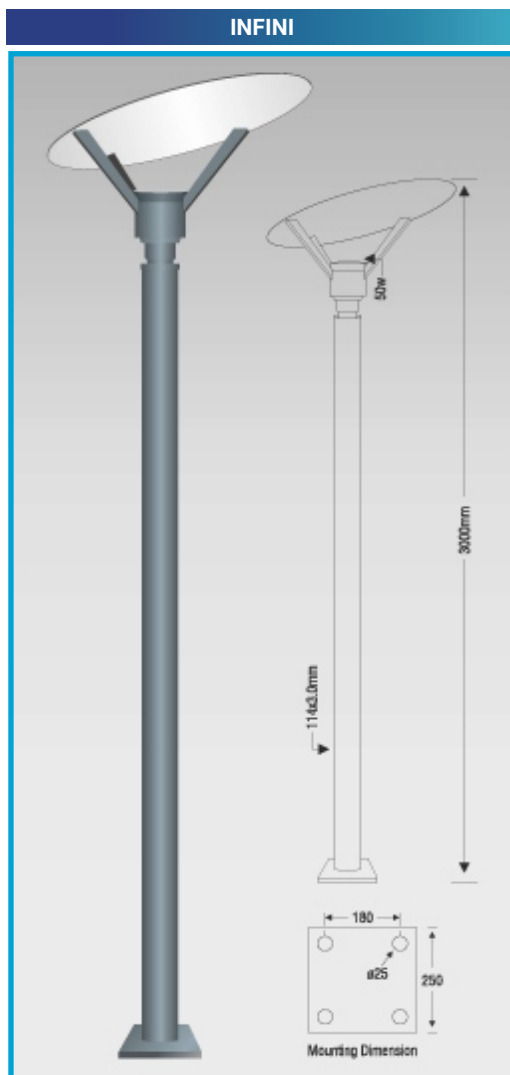
P.O.R

LLCP 03.6

6000mm

P.O.R

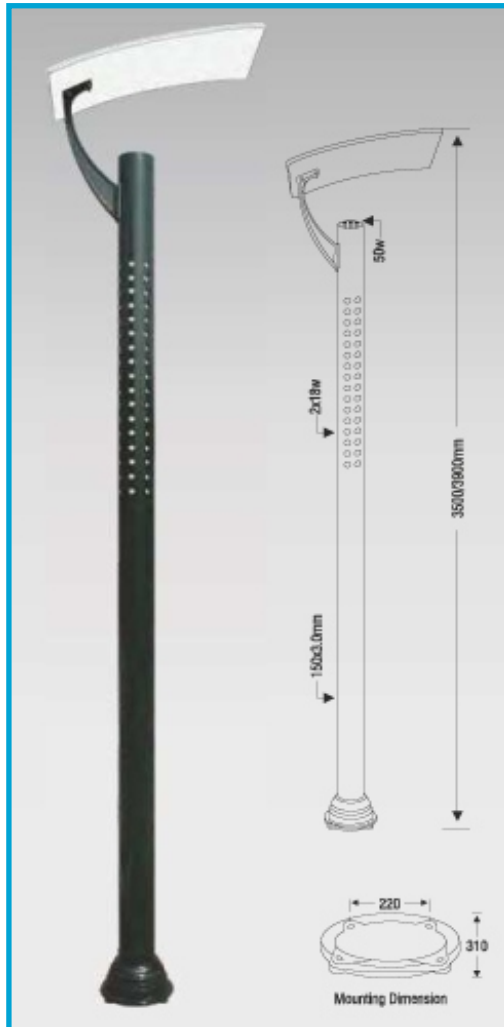
All fixtures are available in 3000K and 6500K color temperature.



PRODUCT CODE	HEIGHT	LP
LLCP 04.3	3000mm	P.O.R
LLCP 04.4	4000mm	P.O.R
LLCP 04.5	5000mm	P.O.R
LLCP 04.6	6000mm	P.O.R

All fixtures are available in 3000K and 6500K color temperature.

INSTAR



PRODUCT CODE

HEIGHT

LP

LLCP 05.3

3000mm

P.O.R

LLCP 05.4

4000mm

P.O.R

LLCP 05.5

5000mm

P.O.R

LLCP 05.6

6000mm

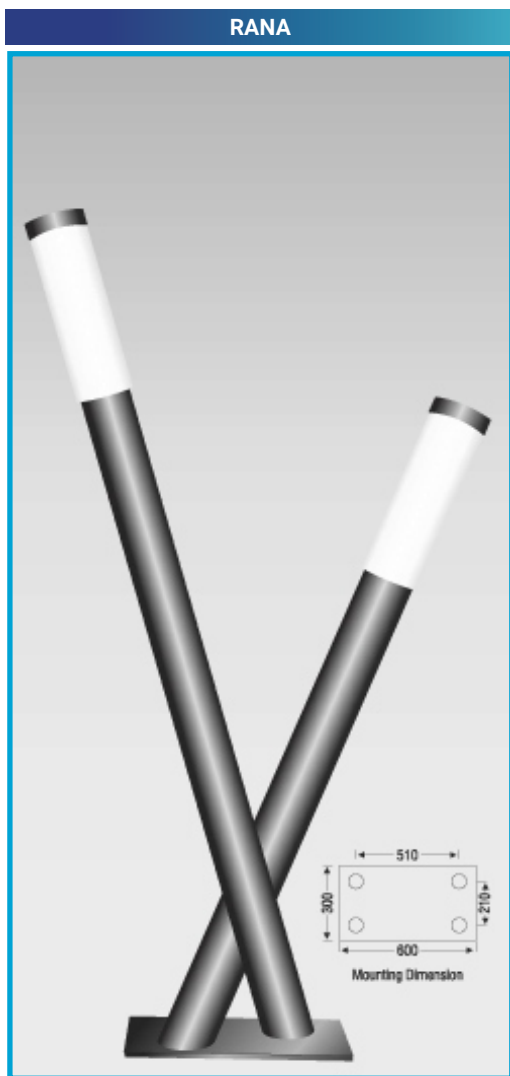
P.O.R

DECADE



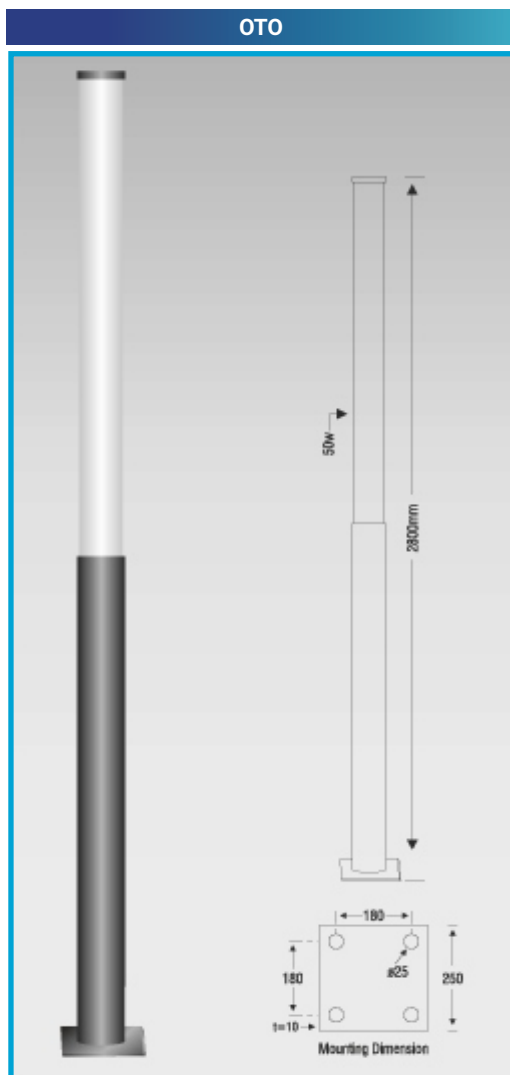
PRODUCT CODE	HEIGHT	LP
LLCP 06.3	3000mm	P.O.R
LLCP 06.4	4000mm	P.O.R
LLCP 06.5	5000mm	P.O.R
LLCP 06.6	6000mm	P.O.R

All fixtures are available in 3000K and 6500K color temperature.



PRODUCT CODE	HEIGHT	LP
LLCP 07.3	3000mm	P.O.R
LLCP 07.4	4000mm	P.O.R
LLCP 07.5	5000mm	P.O.R
LLCP 07.6	6000mm	P.O.R

All fixtures are available in 3000K and 6500K color temperature.



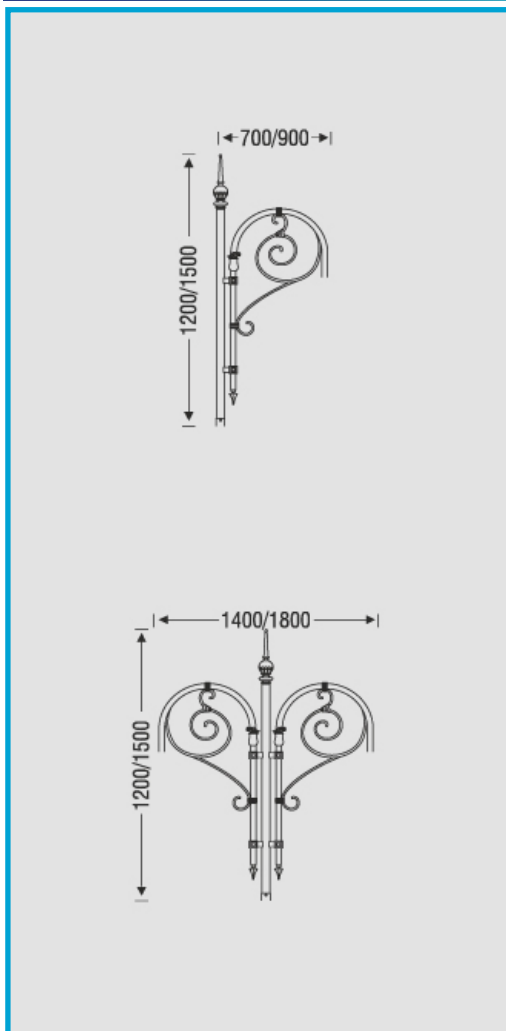
PRODUCT CODE	HEIGHT	LP
LLCP 08.3	3000mm	P.O.R
LLCP 08.4	4000mm	P.O.R
LLCP 08.5	5000mm	P.O.R
LLCP 08.6	6000mm	P.O.R

All fixtures are available in 3000K and 6500K color temperature.

BRACKET DESIGNS



ERMES



PRODUCT CODE

HEIGHT

LP

LLPB 01.3

3000mm

P.O.R

LLPB 01.4

4000mm

P.O.R

LLPB 01.5

5000mm

P.O.R

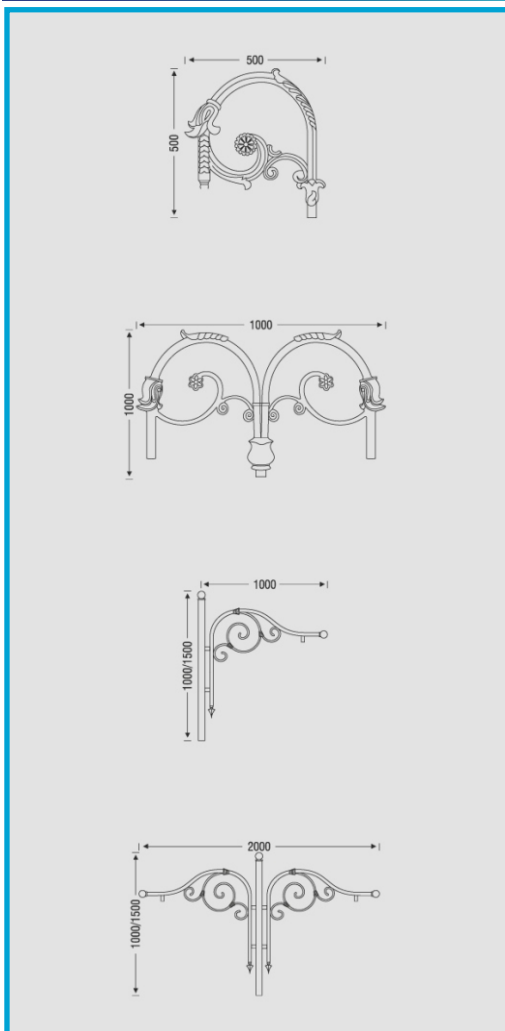
LLPB 01.6

6000mm

P.O.R

All fixtures are available in 3000K and 6500K color temperature.

JAVA



PRODUCT CODE	HEIGHT	LP
--------------	--------	----

LLPB 02.3	3000mm	P.O.R
LLPB 02.4	4000mm	P.O.R
LLPB 02.5	5000mm	P.O.R
LLPB 02.6	6000mm	P.O.R

All fixtures are available in 3000K and 6500K color temperature.



Shine Your World !

Lecce Lighting Private Limited
📍 E-168, Sector 63, Noida, Pin-201307
☎ 0120-4021749, +91-9818113341
✉ info.india@leccelighting.com
🌐 www.leccelighting.com